



ANZZI™

**CREMA**

Freestanding Bathtub  
FT-AZ509

Dimensions:

31.5" L x 70.8" W x 22.8" H

Weight: 370 lb.

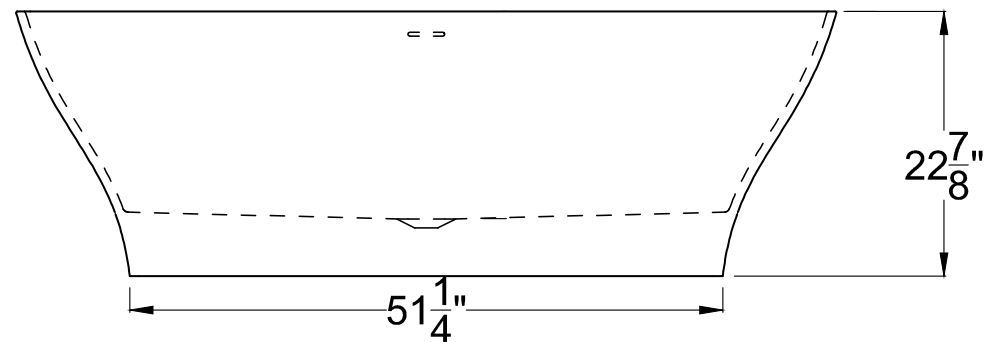
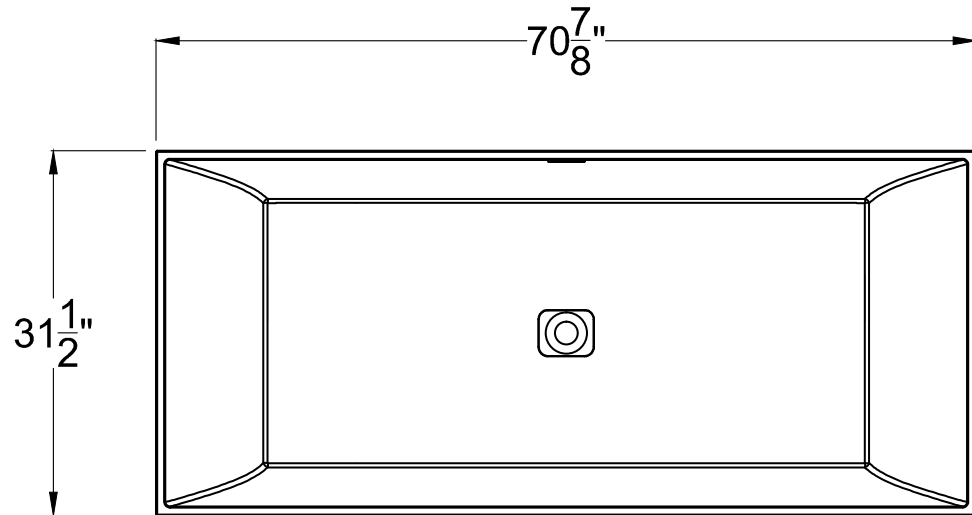
Material: ANZZI Stone™ Resin

Capacity: 90 gal

For more information visit

**[www.ANZZI.com](http://www.ANZZI.com)** or call

**1-844-44-ANZZI**



Perfection is our Tradition™