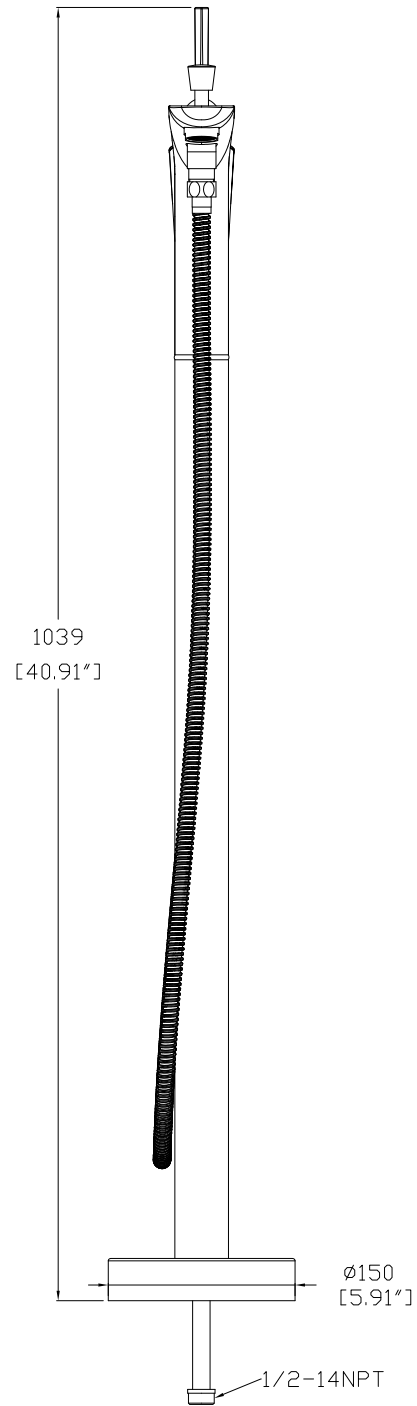
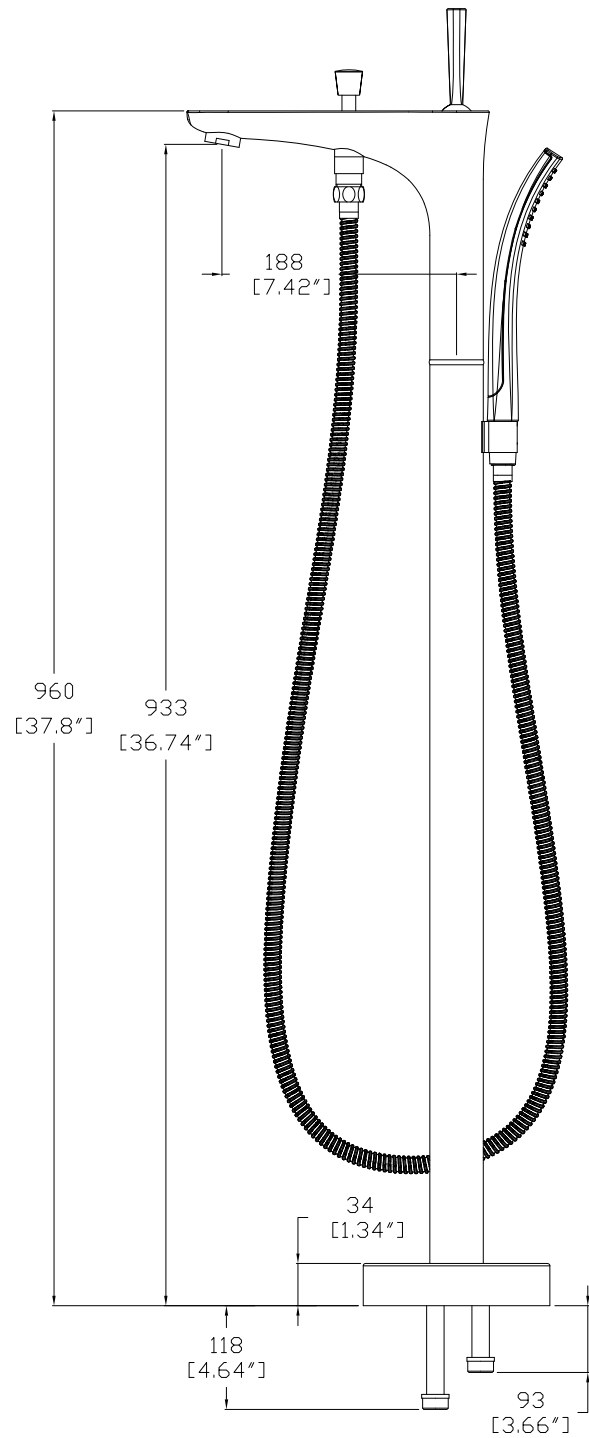


| 32  | T90378AG-32 | HOSE             | 1        | VARIOUS  |        |
|-----|-------------|------------------|----------|----------|--------|
| 31  | T90378AG-31 | CHECK VALVE      | 1        | VARIOUS  |        |
| 30  | T90378AG-30 | SHOWER           | 1        | VARIOUS  |        |
| 29  | T90378AG-29 | INLET (COLD)     | 1        | VARIOUS  |        |
| 28  | T90378AG-28 | INLET (HOT)      | 1        | VARIOUS  |        |
| 27  | T90378AG-27 | BASE SEAT        | 1        | BRASS    |        |
| 26  | T90378AG-26 | BASE SEAT        | 1        | BRASS    |        |
| 25  | T90378AG-25 | WASHER           | 4        | SUS      |        |
| 24  | T90378AG-24 | GASKET           | 4        | SUS      |        |
| 23  | T90378AG-23 | SCREW            | 4        | SUS      |        |
| 22  | T90378AG-22 | ESCUTCHEON       | 1        | BRASS    |        |
| 21  | T90378AG-21 | GASKET           | 1        | NBR      |        |
| 20  | T90378AG-20 | PIPE             | 1        | BRASS    |        |
| 19  | T90378AG-19 | HOLDER           | 1        | BRASS    |        |
| 18  | T90378AG-18 | SCREW            | 1        | SUS      |        |
| 17  | T90378AG-17 | O-RING           | 1        | NBR      |        |
| 16  | T90378AG-16 | BASE SEAT        | 1        | BRASS    |        |
| 15  | T90378AG-15 | RING             | 1        | BRASS    |        |
| 14  | T90378AG-14 | CARTRIDGE        | 1        | VARIOUS  |        |
| 13  | T90378AG-13 | RETAINER         | 1        | BRASS    |        |
| 12  | T90378AG-12 | O-RING           | 1        | NBR      |        |
| 11  | T90378AG-11 | COVER            | 1        | BRASS    |        |
| 10  | T90378AG-10 | HANDLE           | 1        | ZN       |        |
| 9   | T90378AG-09 | ADAPTER          | 1        | BRASS    |        |
| 8   | T90378AG-08 | CHECK VALVE      | 1        | VARIOUS  |        |
| 7   | T90378AG-07 | WASHER           | 1        | NBR      |        |
| 6   | T90378AG-06 | DIVERTER         | 1        | VARIOUS  |        |
| 5   | T90378AG-05 | TIP              | 1        | BRASS    |        |
| 4   | T90378AG-04 | BODY             | 1        | BRASS    |        |
| 3   | T90378AG-03 | WASHER           | 1        | NBR      |        |
| 2   | T90378AG-02 | FLOW REGULATOR   | 1        | VARIOUS  |        |
| 1   | T90378AG-01 | HOUSING          | 1        | BRASS    |        |
| ND. | Drawing No. | Part Description | Quantity | Material | Remark |

**FS-AZ0029**

For more information visit  
[www.ANZZI.com](http://www.ANZZI.com) or call 1-844-44-ANZZI



UNIT:  
mm[inch]

