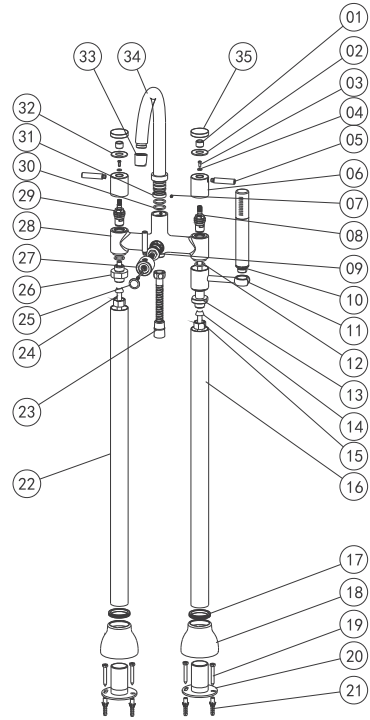




FS-AZ0027

For more information visit www.ANZZI.com or call 1-844-44-ANZZI



Component Parts List

| # | PART NAME | QTY | # | PART NAME | QTY |
|----|--------------------|-----|----|--------------------|-----|
| 01 | BOLT | 2 | 21 | ANCHOR | 4 |
| 02 | INDEX RING (COLD) | 1 | 22 | CONNECTING PIPE | 1 |
| 03 | SCREW | 3 | 23 | HOSE | 1 |
| 04 | O-RING | 3 | 24 | WATER SUPPLY LINES | 2 |
| 05 | LEVER HANDLE | 3 | 25 | INDEX BUTTON | 1 |
| 06 | ESCUTCHEON | 2 | 26 | ADAPTOR | 1 |
| 07 | SET SCREW | 1 | 27 | DIVERTER HANDLE | 1 |
| 08 | CARTRIDGE | 1 | 28 | MAIN HOUSING | 1 |
| 09 | DIVERTER | 1 | 29 | CARTRIDGE | 1 |
| 10 | HAND SHOWER | 1 | 30 | O-RING | 2 |
| 11 | HAND SHOWER HOLDER | 1 | 31 | TEFLON RING | 1 |
| 12 | O-RING | 2 | 32 | INDEX RING (HOT) | 1 |
| 13 | ADAPTOR | 1 | 33 | AERATOR HOUSING | 2 |
| 14 | RUBBER WASHER | 2 | 34 | SPOUT | 1 |
| 15 | HEX LOCK NUT | 2 | 35 | END CAP | 2 |
| 16 | CONNECTING PIPE | 2 | | | |
| 17 | WASHER | 2 | | | |
| 18 | ESCUTCHEON | 2 | | | |
| 19 | SCREW | 4 | | | |
| 20 | BASE SEAT | 2 | | | |

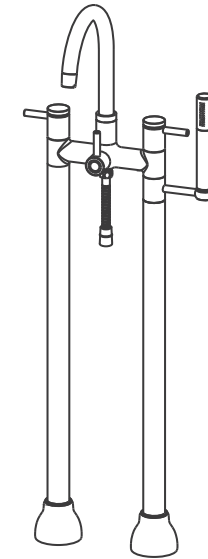
Installation Instructions

Before Your Installation

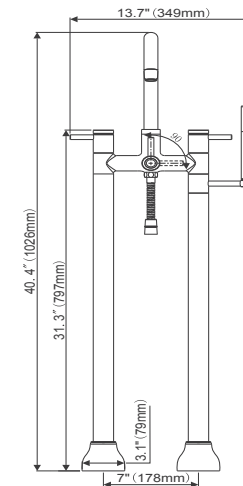
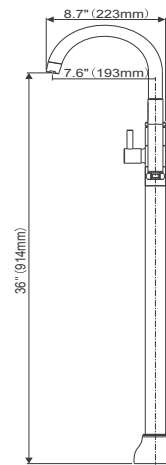
- Read all instructions carefully.
- Assemble all tools.
- Turn off main water supply before removing old faucet and fixtures.
- Clean surface before installing new faucet.
- Insert a cloth or stopper into drain to prevent small parts from getting lost.

Tips for Successful Installations

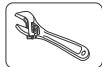
- Use joint compound or Teflon® tape on all threaded connections to prevent leaks.
- Use a soft cloth to protect the faucets finish when using a wrench, pliers or other tools that could scratch the faucet.
- Tighten all hose connections by hand. Do not over tighten.
- Before turning main water supply back on, open several faucets around the house to prevent pressure from building up.
- Remove aerator from faucet before turning on water. Flush drain for several minutes before replacing aerator. DO NOT use joint compound or Teflon® tape to reconnect aerator.



Specification Sheet



Installation Instructions



Adjustable Wrench



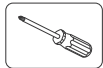
Pipe Tape



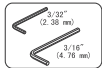
Groove joint plier



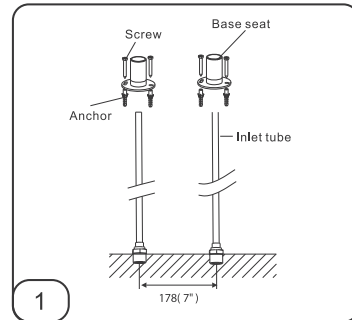
Plumber's putty



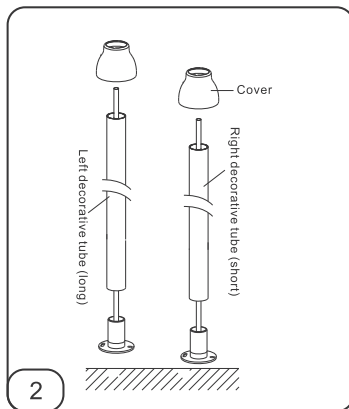
Phillips screwdriver



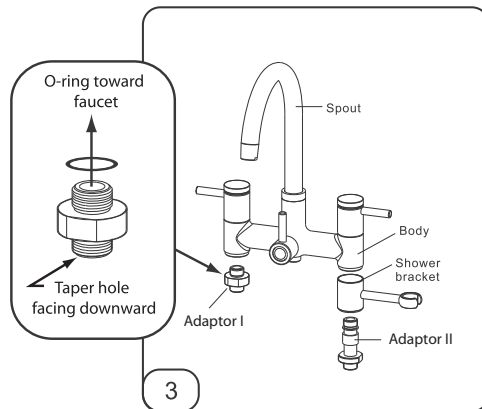
Allen Wrench



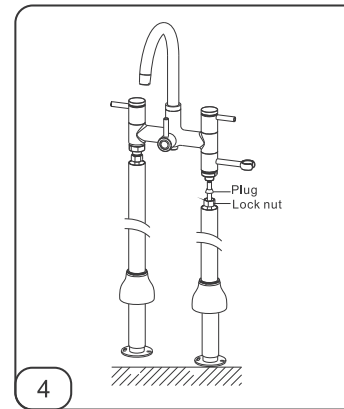
- 1. How to install inlet tubes**
Install inlet tube on the desired location and then install the base seat on the floor through the inlet tube. Appropriately adjust the base seat to let it be concentric with the inlet tube.



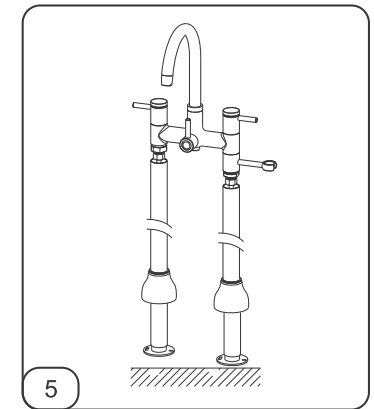
- 2. How to install decorative tubes**
Install the long thread face downward, separately turn left and right decorative tubes to the base seats as low as possible but not too tight. Put the covers through the decorative tubes but not down to the floor with a washer clipped in the top of the cover. (If it is too tight, please add some water or soap water to lubricate).



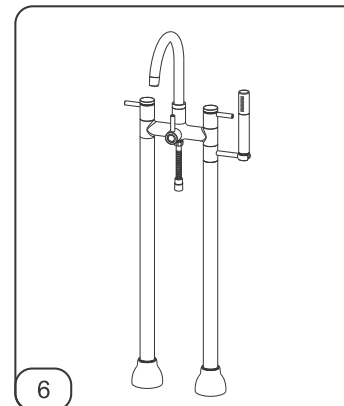
- 3. How to install Adaptors**
Install the adaptor # 1 on the left side of the body with an O-ring in for seal and the male thread with taper hole facing downward. Slide the hand shower holder bracket into the adaptor # 2 and tighten up the lock bolt to the right side of the body with an O-ring in for seal and the taper hole facing downward ensuring the shower supporter is positioned correctly.



- 4. How to install body**
Separately slide the lock nuts and plugs into the two inlet tubes ensuring the lock nut not be dropped into the decorative tube. Need another person to hold the body assembly and tighten the lock nuts to the body with the plugs in. Press the body downward along the inlet tubes until the lock nuts are in contact with the decorative tube. Tighten up the mounting nuts by wrench to ensure the taper plugs seal well.



- 5. How to connect decorative tubes & body**
Separately turn the left and right decorative tubes on the bolts until they are in contact with the body and the shower bracket. Press the covers down until they cover the base seats.



- 6. Connect the shower to the body with hose.**