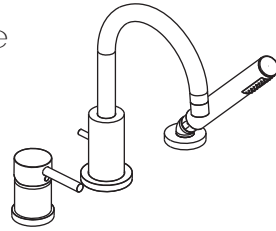


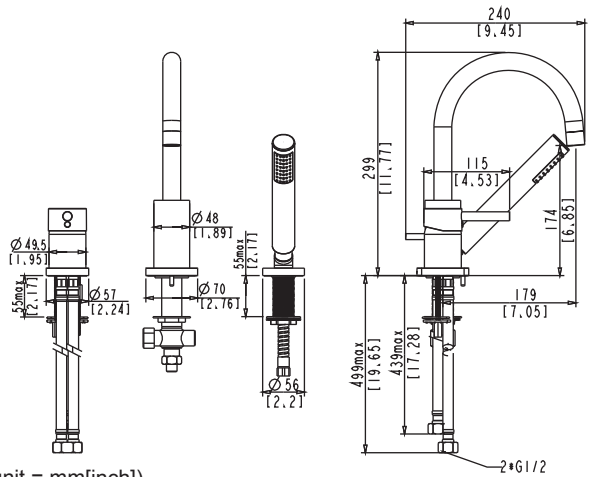


FR-AZ273 Installation Guide

For more information visit
www.ANZZI.com or call
1-844-44-ANZZI



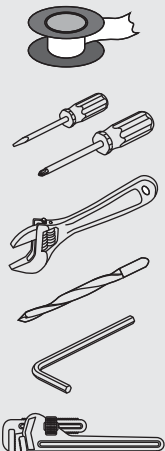
DIMENSIONS



■ For Reference only (unit = mm[inch])

FAUCET MAINTENANCE

RECOMMENDED TOOLS



CARE INSTRUCTIONS

To keep your faucet looking its best, please follow these simple care instructions:

DO:

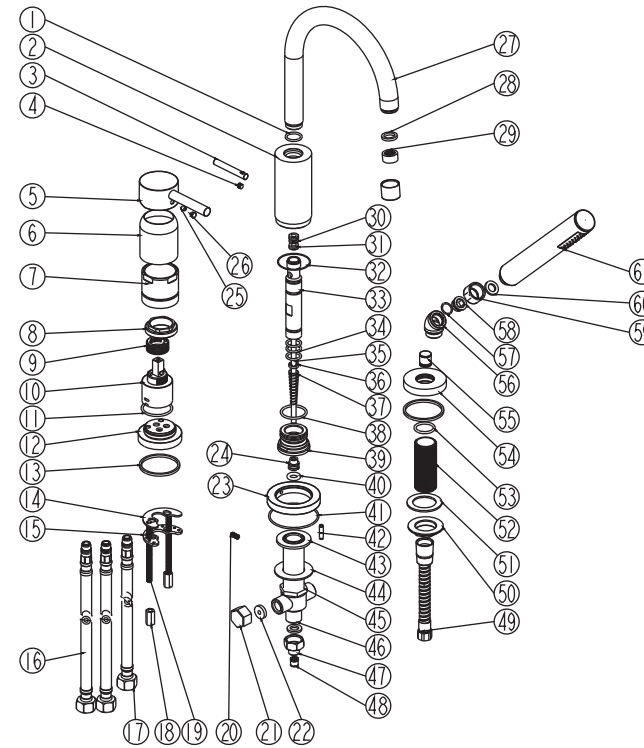
1. Remove as much surface dirt and film using clear water and a soft cotton cloth.
2. Use any of the following to remove tough surface film and build-up:
 - Mild liquid detergent
 - Non-acidic, non-abrasive gentle liquid cleanser
 - Non-abrasive liquid polisher.
3. Once clean, rinse faucet with clear water to thoroughly remove cleaner or polish and blot dry with soft cotton cloth.

DO NOT:

1. Use abrasive cleansers, cloths, or paper towels.
2. Use any cleaning agents containing acids, polish, waxes, alcohol, ammonia, bleach, solvents or any other corrosive or harsh chemical cleansers.

EXPLODED DRAWING

Please read the followings before installing and usage.

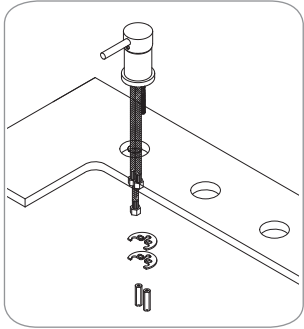


NO.	Part No	Part Desc	Qty
01	CTRR0098	O-RING	1
02	CTYB0522	BODY	1
03	CTMB0588	KNOB	1
04	CTST0153	SCREW	1
05	ATBH0072	HANDLE	1
06	CTCB0031	COVER	1
07	CTCT0046	COVER	1
08	CTKB0065	NUT	1
09	CTCP0363	LIMIT RING	1
10	ATBA0042	CARTRIDGE	1
11	CTRR0091	O-RING	1
12	CTDB0436	BASE	1
13	CTWR0114	WASHER	2
14	CTWR0282	WASHER	1
15	CTWT0071	WASHER	1
16	ATBP0001	HOSE	2
17	ATBP0071	HOSE	1
18	CTNB0063	NUT	2
19	CTST0013	SCREW	2
20	CTST0224	SCREW	1
21	CTTB0014	PLUG	1
22	CTWR0088	WASHER	1
23	CTDB0423	BASE	1
24	CTDB0133	HEAD	1
25	CTST0117	SCREW	1
26	CTCP0072	CAP	1
27	ATBP0267	SPOUT	1
28	CTWR0024	WASHER	1
29	CTQP0029	AERATOR	1
30	CTWB0048	WASHER	1
31	CTRR0138	O-RING	2
32	CTRR0215	O-RING	1
33	CTPB0468	PIPE	1
34	CTRR0082	O-RING	3
35	CTMB0593	LIFT ROD	1
36	CTRP0067	O-RING	1
37	CTBT0077	SPRING	1
38	CTRR0137	O-RING	1
39	CTDB0424	BASE	1
40	CTRR0139	O-RING	1
41	CTRR0113	O-RING	1
42	CTBB0026	PIN	1
43	CTWR0217	WASHER	1
44	CTWT0038	WASHER	1
45	CTNB0156	NUT	1
46	CTPB0188	PIPE	1
47	CTMB0709	ADAPTOR	1
48	ATBA0100	CHECK VALVE	1
49	ATBP0070	HOSE	1
50	CTNB0016	NUT	1
51	CTWR0061	WASHER	1
52	CTPB0499	PIPE	1
53	CTRR0142	O-RING	1
54	CTDB0488	BASE	1
55	ATBA4028	CHECK VALVE	1
56	CTPB0573	PIPE	1
57	CTRR0009	O-RING	1
58	CTSB0157	SCREW	1
59	CTNB0338	NUT	1
60	CTWR0341	WASHER	2
61	ATBE0141	SHOWER	1

NO.	Part No	Part Desc	Qty
51	CTWR0061	WASHER	1
52	CTPB0499	PIPE	1
53	CTRR0142	O-RING	1
54	CTDB0488	BASE	1
55	ATBA4028	CHECK VALVE	1
56	CTPB0573	PIPE	1
57	CTRR0009	O-RING	1
58	CTSB0157	SCREW	1
59	CTNB0338	NUT	1
60	CTWR0341	WASHER	2
61	ATBE0141	SHOWER	1

■ Notes: For reference only. We reserve the right to make changes without any notice.

Step 1



Handle installation

- ① Place the base of the handle flange kit on the left hole. Insert the braided flex connectors through the hole.
- ② From underneath, place metal washer and locknut on each threaded stud and tighten gently by hand.
- ③ Now, position and properly align the handle on top. Tighten the locknuts with a flat head screwdriver or appropriate tool. Do not overtighten.

Step 2

Spout installation

- ① Unscrew the Allen screw in back of the spout. Pull apart the spout from its connector (do not unscrew). Separate the spout flange from the spout. Place o-ring underneath the spout flange and place the flange over the center hole between the handle and hand shower.
- ② Unscrew the superior spout locknut of the spout connector. Make sure that the locknut and the metal and rubber washers are in place on the spout connector. From underneath the bathtub, insert the top of the connector in the hole between the handle and hand shower. From over the bathtub, screw the superior spout locknut to secure the connector and the flange in place.
- ③ Install the spout on the connector and align the spout with the flange, making sure to insert the anti-rotation pin in the stop hole. Tighten spout in place by screwing the Allen screw in front of the spout.

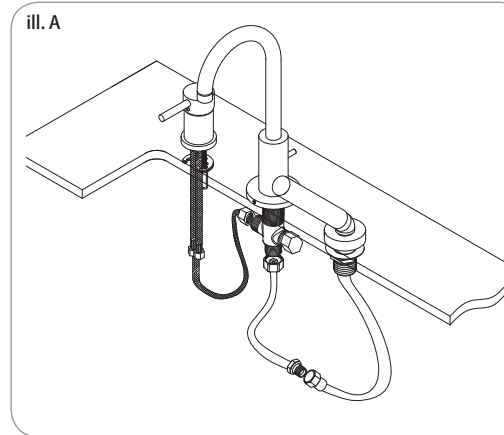
Step 3

Hand shower holder installation

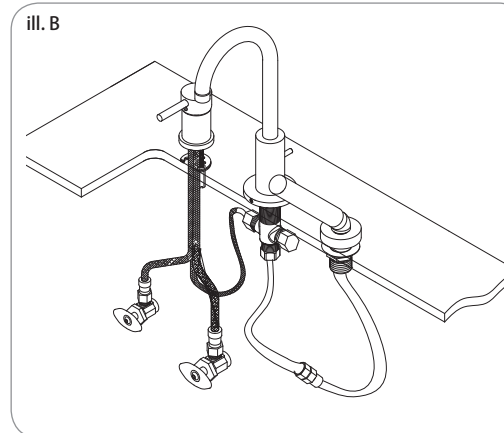
- ① Unscrew the locknut and take off metal and rubber washers.
- ② Insert the hand shower holder in the hole making sure to place the o-ring underneath the fix holder. From under, screw the rubber and metal washers, as well as the retainer ring to the holder in place.
- ③ Connect the hose to the hand shower hole, making sure that the rubber washer is in place. From above, slide the hose through the holder to sit the hand shower on its base.

Step 4

Valve and water supply connection



- ① Using the flexible connectors included (5), connect the valve to the spout connector. Use the extra flexible connector (14) to join the spout to the hand shower hose. Tighten using appropriate tool. (ill. A)
- ② Connect hot and cold valves to the corresponding water supply lines using flexible connectors and tighten. (ill. B)



Step 5

Testing connections

WARNING: Remove aerator before testing connections. Place the appropriate wrench on the flat edges and unfasten. Use a cloth to not damage the part. Do not overtighten.

- ① Verify that there are no leaks by slowly opening the hot and cold water. In case of a leak, shut off the water supply and tighten connectors 1/4 turn using the appropriate tool. Repeat if necessary.
- ② Turn on the faucet and leave both hot and cold water running for at least one minute to evacuate the air trapped in the pipes. Turn off water.

③ Assemble the aerator as illustrated and insert into the spout, tightening by hand. You can now turn on water supply.

