

**GARETH  
53" CAST IRON  
SLIPPER TUB**

Cat. No.  
CTSN53



L: 53 1/4"  
W: 28 1/4"  
H: 29" (from floor to top of tub)

Water depth: 16" to overflow

**The following is recommended for CTSN53 tubs:**

- Faucet: part #4602
- Rigid, freestanding supplies: part #4502
- Leg tub drain: part #5599

Gallon Capacity: 39  
Shipping Weight: 500 lbs.  
Empty Weight: 275 lbs.  
Filled Weight: 601 lbs.

**Features:**

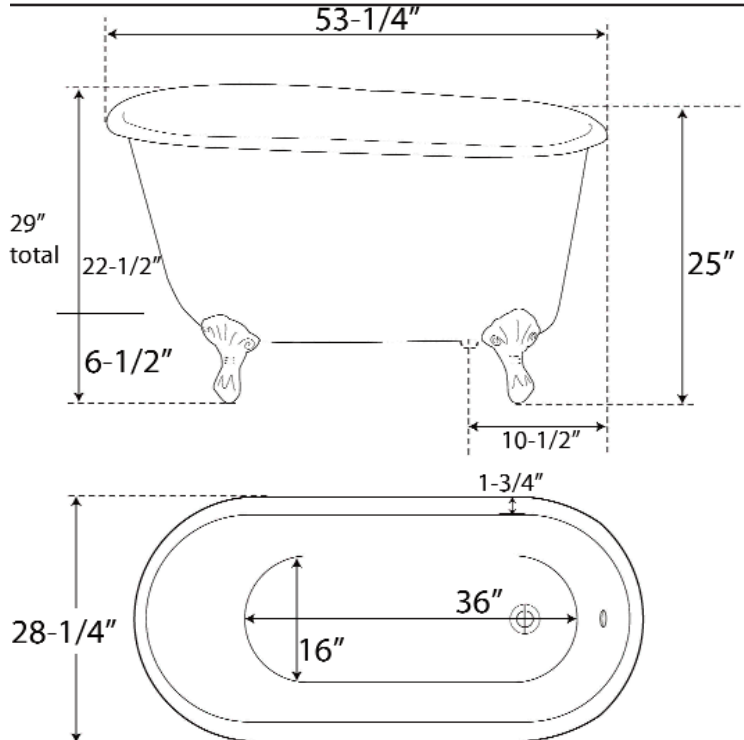
- ▶ Inside finish is white enamel
- ▶ Cast Iron ball and claw feet available in 5 finishes
- ▶ Tub exterior is white (epoxy)
- ▶ No faucet holes with a continuous rolled rim
- ▶ Feet are attached and leveled before shipment
- ▶ Tub is thoroughly inspected before shipment

**Foot Finishes:**

- BP** Polished Brass
- CP** Polished Chrome
- SN** Brushed Nickel
- WH** White
- ORB** Oil-rubbed Bronze



**Custom Colors Available** (inside of tub is always white enamel):  
Painted bathtubs are considered "special order" and are not returnable  
\$160 Bisque or Black \$250 Designer Color



Dimensions of fixture are nominal and may vary within the range of tolerances established by ANSI Standard A112.19.2. Dimensions and specifications subject to change without notice.