

**61" LEONARDO
CAST IRON
SLIPPER TUB**

Cat. No.
CTS7H61B



L: 60-1/2"
W: 30-1/2"
H: 23-3/4"
31-1/8" (from floor to top of tub)

Water depth: 16-5/8" to overflow

The following is recommended for CTS7H61B tubs:

- Rim-Mounted faucet: **#4601 or 7529**
- Straight Bath Supplies: **#5577**
- Leg Tub Drain: **#5599E**
- Complete Shower Unit: **#4063**

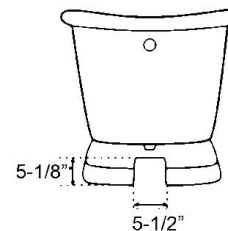
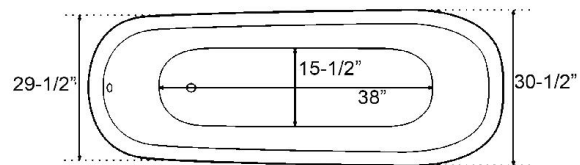
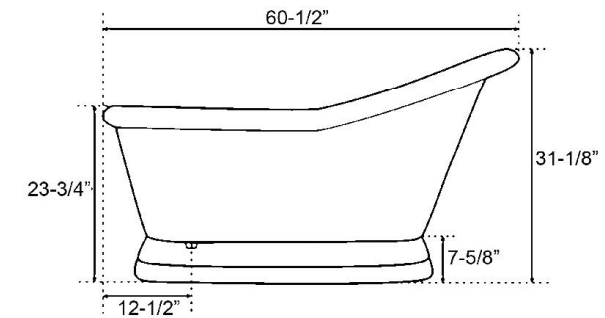
Gallon Capacity: 42
Shipping Weight: 477 lbs.
Empty Weight: 407 lbs.
Filled Weight: 758 lbs.

Features:

- ▶ Inside finish is white enamel
- ▶ 7" centers in tub deck
- ▶ Pre-drilled overflow hole
- ▶ Cast iron pedestal
- ▶ Tub exterior is white (epoxy)
- ▶ Tub is thoroughly inspected before shipment



Custom Colors Available (inside of tub is always white enamel):
Painted bathtubs are considered "special order" and are not returnable
\$160 Bisque or Black \$250 Designer Color



Dimensions of fixture are nominal and may vary within the range of tolerances established by ANSI Standard A112.19.2. Dimensions and specifications subject to change without notice.