

# BROCTON 68" CAST IRON ROLL TOP TUB

Cat. No.  
CTR67



L: 68"  
W: 30 1/2"  
H: 23 1/4" (from floor to top of tub)  
18 5/8" (from bottom of tub to top of tub)

Meets or exceeds the following specifications: A112-19-1M 1994.

### The following is recommended for CTR67 tubs with faucet holes:

- Tub wall-mounted faucets or hand-held showers: part# **4022, 4025, 4035**
- Tub wall-mounted faucets for use with risers: part# **4001, 4013, 4023, 4030, 0431**
- Double offset bath supplies: part #**5576**
- Leg tub drain: part #**5599**
- Complete shower unit: part# **4124, 4143**

Gallon Capacity: 57  
Shipping Weight: 502 lbs.  
Empty Weight: 309 lbs.  
Filled Weight: 785 lbs.

## Features:

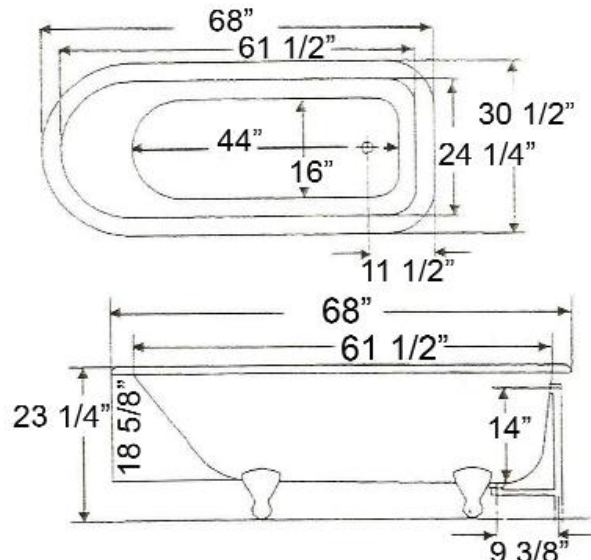
- ▶ Inside finish is white enamel
- ▶ Cast Iron ball and claw feet available in 8 finishes or unfinished
- ▶ Tub exterior is white (epoxy)
- ▶ 3 3/8" centers in tub wall
- ▶ Non-skid strips
- ▶ Feet are attached and leveled before shipment
- ▶ Tub is thoroughly inspected before shipment



## Foot Finishes:

<b>BL</b> Black	<b>PN</b> Polished Nickel
<b>BQ</b> Bisque	<b>SN</b> Brushed Nickel
<b>BP</b> Polished Brass	<b>ORB</b> Oil-rubbed Bronze
<b>CP</b> Polished Chrome	<b>WH</b> White

**Custom Colors Available** (inside of tub is always white enamel):  
Painted bathtubs are considered "special order" and are not returnable  
\$160 Bisque or Black \$250 Designer Color



Dimensions of fixture are nominal and may vary within the range of tolerances established by ANSI Standard A112.19.2. Dimensions and specifications subject to change without notice.