

MARSHALL 72" CAST IRON DOUBLE SLIPPER TUB WITH BASE

Cat. No.
CTDSNB



L: 71"
L (Base): 48"
W: 30"
W (Base): 26"
H: 31-1/8" (from floor to top of tub)
H(Base): 8 1/2"

Meets or exceeds the following specifications: A112-19-1M 1994.

The following is recommended for CTDSNB tubs without faucet holes:

- Faucet: Part# 4602
- Rigid, freestanding supplies: Part# 4502
- Leg tub drain: Part# 5599

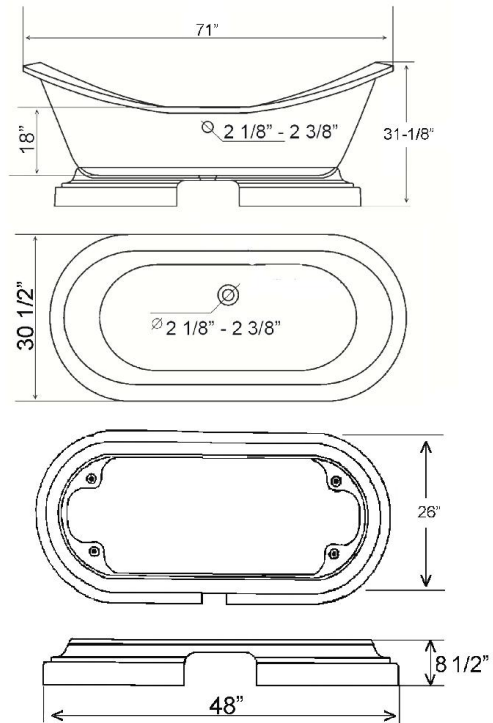
Gallon Capacity: 43 1/2
Shipping Weight: 740 lbs.
Empty Weight: 490 lbs.
Filled Weight: 854 lbs.

Features:

- ▶ Inside finish is white enamel
- ▶ No faucet holes
- ▶ Tub exterior is white
- ▶ Non-skid strips
- ▶ Cutout in base for waste and overflow
- ▶ Tub and base combinations ship on 1 pallet



Custom Colors Available (inside of tub is always white enamel):
Painted bathtubs are considered "special order" and are not returnable
\$160 Bisque or Black \$250 Designer Color



Dimensions of fixture are nominal and may vary within the range of tolerances established by ANSI Standard A112.19.2. Dimensions and specifications subject to change without notice.