

72" MARSHALL CAST IRON DOUBLE SLIPPER

Cat. No.
CTDSH



L: 72"
W: 31"
H: 30" (from floor to top of tub)
26-3/4" (from floor to center of tub)

Features:

- ▶ Inside finish is white enamel
- ▶ Cast Iron lion paw feet
- ▶ Tub exterior is white
- ▶ UPC certified
- ▶ 7" deck holes in long side of tub
- ▶ Pre-drilled overflow hole
- ▶ Non-skid strips
- ▶ Feet are attached and leveled before shipment
- ▶ Tub is thoroughly inspected before shipment
- ▶ Rim: 3-1/4"



Foot Finishes:

UF Unfinished
BL Painted Black
BQ Painted Bisque
PB Polished Brass



CP Polished Chrome
WH Painted White
PN Polished Nickel
SN Brushed Nickel
ORB Oil Rubbed Bronze

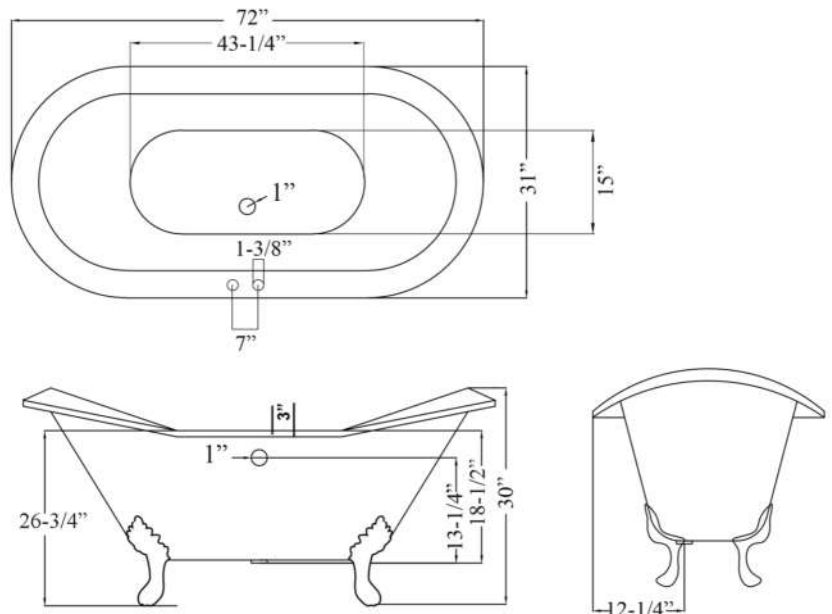
Custom Colors Available (inside of tub is always white enamel):
Painted bathtubs are considered "special order" and are not returnable

Water depth: 18-1/2" to top of tub
Water depth: 12-1/4" to overflow

The following is recommended for CTDSH tubs with deck holes:

- Rim-mounted faucet: part #4601 or 4201
- Straight bath supplies: part #5577
- Leg tub drain: part #5599

Gallon Capacity: 43 1/2
Shipping Weight: 544 lbs.
Empty Weight: 364 lbs.
Filled Weight: 728 lbs.



Dimensions and specifications subject to change without notice.