

# MARSHALL 72" CAST IRON DOUBLE SLIPPER TUB WITH BASE

Cat. No.  
CTDSHB



## Features:

- ▶ Inside finish is white enamel
- ▶ 7" deck holes in long side of tub
- ▶ Tub exterior is white
- ▶ Non-skid strips
- ▶ Cutout in base for waste and overflow
- ▶ Tub and base combinations ship on 1 pallet



L: 71"  
L (Base): 48"  
W: 30 1/2"  
W (Base): 26"  
H: 31-1/8" (from floor to top of tub)  
H(Base): 8 1/2"



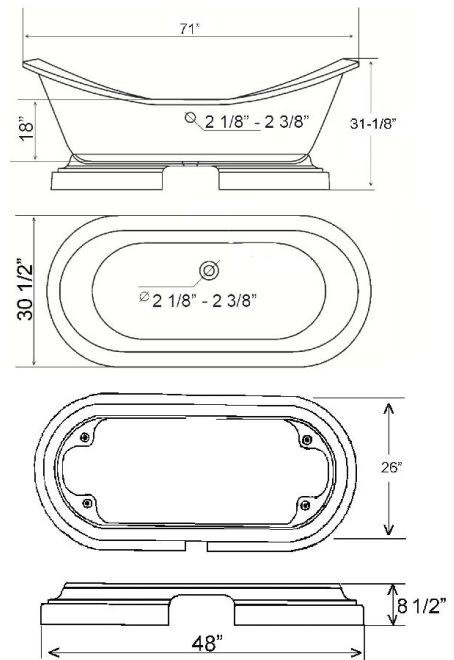
**Custom Colors Available** (inside of tub is always white enamel):  
Painted bathtubs are considered "special order" and are not returnable  
\$160 Bisque or Black \$250 Designer Color

Meets or exceeds the following specifications: A112-19-1M 1994.

### The following is recommended for CTDSHB tubs with deck holes:

- Rim-mounted faucet: part #4601
- Straight bath supplies: part #5577
- Leg tub drain: part #5599

Gallon Capacity: 43 1/2  
Shipping Weight: 740 lbs.  
Empty Weight: 490 lbs.  
Filled Weight: 854 lbs.



Dimensions of fixture are nominal and may vary within the range of tolerances established by ANSI Standard A112.19.2. Dimensions and specifications subject to change without notice.