

**OXNARD
72" CAST IRON
DOUBLE SLIPPER TUB**

Cat. No.
CTDS7H72B



L: 72"
W: 30 3/4"
H: 22 3/8" and 29 1/2" (from floor to top of tub)

Depth: 17" at drain
Water depth: 13" to overflow
Overflow hole: 2"

The following is recommended for CTDS7H72B tubs:

- Rim-mounted faucet: part #4601 or 7529
- Straight bath supplies: part #5577
- Leg tub drain: part #5599
- Complete shower unit: Part #4063

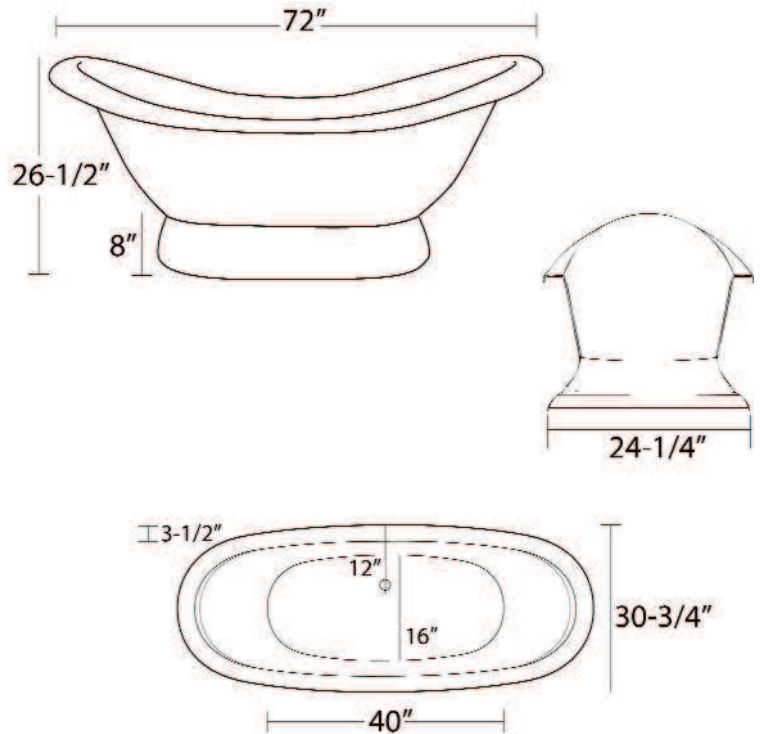
| | |
|------------------|----------|
| Gallon Capacity: | 36 |
| Shipping Weight: | 695 lbs. |
| Empty Weight: | 470 lbs. |
| Filled Weight: | 771 lbs. |

Features:

- ▶ Inside finish is white enamel
- ▶ Includes structured base
- ▶ Tub exterior is white (epoxy)
- ▶ 7" centers in tub deck
- ▶ Tub is thoroughly inspected before shipment



Custom Colors Available (inside of tub is always white enamel):
Painted bathtubs are considered "special order" and are not returnable
\$160 Bisque or Black \$250 Designer Color



Dimensions of fixture are nominal and may vary within the range of tolerances established by ANSI Standard A112.19.2. Dimensions and specifications subject to change without notice.