

**66" MARKUS
CAST IRON
DOUBLE SLIPPER**

Cat. No.
CTDS7H66



L: 66"
W: 29"
H: 30" (from floor to top of tub)

Water depth: 15-1/2" to overflow

The following is recommended for CTDS7H66 tubs:

- Rim-Mounted Faucet: **#4601 or 7529**
- Straight Bath Supplies: **#5577**
- Leg Tub Drain: **#5599**

Gallon Capacity:	48
Shipping Weight:	436 lbs.
Empty Weight:	353 lbs.
Filled Weight:	754 lbs.

Features:

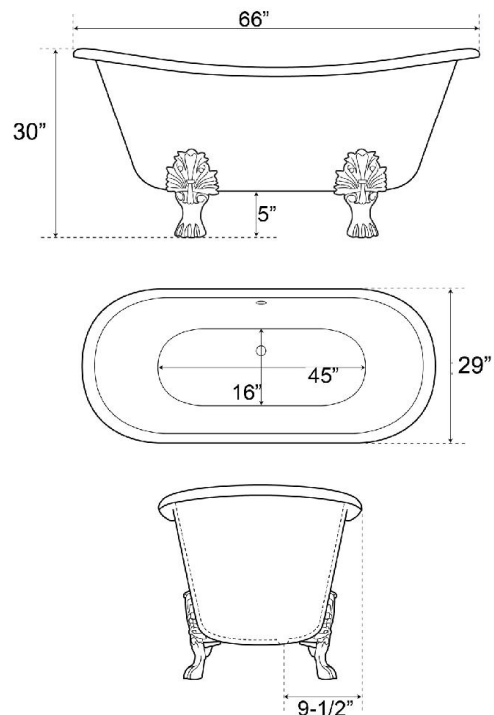
- ▶ Inside finish is white enamel
- ▶ Tub exterior is white smooth
- ▶ 7" centers in tub deck
- ▶ Pre-drilled overflow hole
- ▶ Cast iron majestic lion paw feet in 4 finishes
- ▶ Feet are attached and leveled before shipment
- ▶ Tub is thoroughly inspected before shipment



Foot Finishes:

SN Brushed Nickel	PB Polished Brass
CP Polished Chrome	ORB Oil-rubbed Bronze

Custom Colors Available (inside of tub is always white enamel):
Painted bathtubs are considered "special order" and are not returnable
\$160 Bisque or Black \$250 Designer Color



Dimensions of fixture are nominal and may vary within the range of tolerances established by ANSI Standard A112.19.2. Dimensions and specifications subject to change without notice.