

**GALLAGHER  
72" CAST IRON  
DOUBLE ROLL  
TOP TUB**

Cat. No.  
CTDRN72



L: 72"  
W: 31-1/2"  
H: 25 1/2"

Depth to Overflow: 15"

**The following is recommended for CTDRN tubs without faucet holes:**

- Faucets: part #4602, 7393 or 7410
- Rigid, freestanding supplies: part #4502
- Leg tub drain: part #5599E

Meets or exceeds the following specifications: A112-19-1M 1994.

|                  |          |
|------------------|----------|
| Gallon Capacity: | 50       |
| Shipping Weight: | 500 lbs. |
| Empty Weight:    | 300 lbs. |
| Filled Weight:   | 718 lbs. |

**Features:**

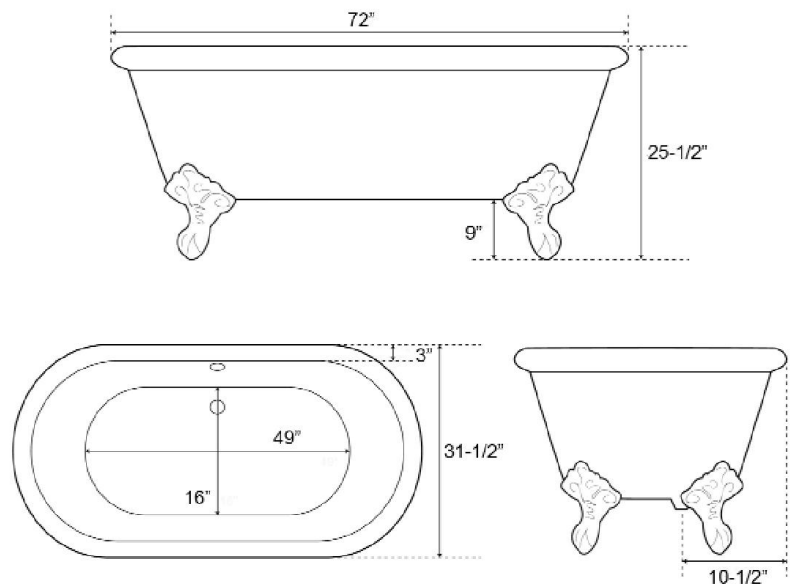
- ▶ Interior finish is white enamel
- ▶ Imperial feet available in 4 finishes
- ▶ Tub exterior is white (expoxy)
- ▶ No faucet holes
- ▶ Overflow hole is drilled
- ▶ Feet are attached and leveled before shipment
- ▶ Tub is thoroughly inspected before shipment
- ▶ Includes Built-in adjusters

**Foot Finishes:**

- BP** Polished Brass
- CP** Polished Chrome
- BN** Brushed Nickel
- ORB** Oil-rubbed Bronze



**Custom Colors Available** (inside of tub is always white enamel):  
Painted bathtubs are considered "special order" and are not returnable  
\$160 Bisque or Black \$250 Designer Color



Dimensions of fixture are nominal and may vary within the range of tolerances established by ANSI Standard A112.19.2. Dimensions and specifications subject to change without notice.