

**COLUMBUS
61" CAST IRON
DOUBLE ROLL
TOP TUB**

Cat. No.
CTDR7H61



L: 61"
W: 31 1/2"
H: 24" (from floor to top of tub)
18" (from bottom of tub to top of tub)

Depth: 13 1/2" to overflow
18" at drain

The following is recommended for CTDR7H61 tubs:

- Rim-mounted faucet: part #4601
- Straight bath supplies: part #5577
- Leg tub drain: part #5599
- For use with shower curtain rod:
Part# 4062, 4045
- Complete shower unit: **Part# 4063**

Gallon Capacity: 60
Shipping Weight: 480 lbs.
Empty Weight: 300 lbs.
Filled Weight: 801 lbs.

Features:

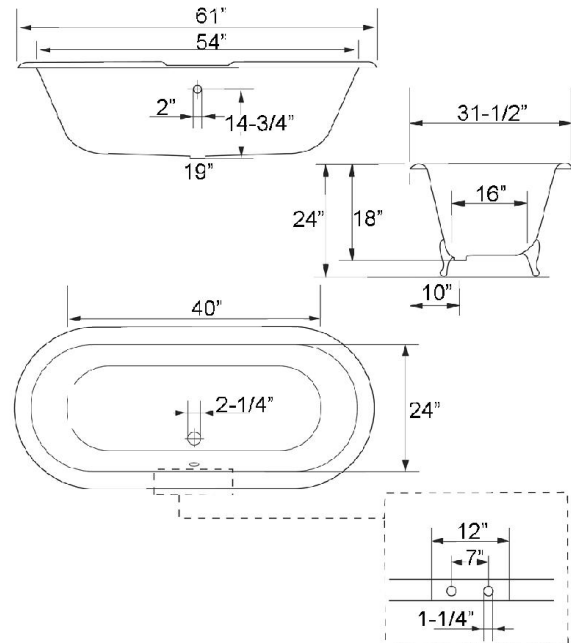
- ▶ Inside finish is white enamel
- ▶ Cast Iron imperial feet available in 8 finishes or unfinished
- ▶ Tub exterior is white (expoxy)
- ▶ 7" centers in tub deck
- ▶ Feet are attached and leveled before shipment
- ▶ Tub is thoroughly inspected before shipment



Foot Finishes:

- | | |
|---------------------------|------------------------------|
| BL Black | PB Polished Brass |
| BQ Bisque | BN Brushed Nickel |
| CP Polished Chrome | ORB Oil-rubbed Bronze |
| PN Polished Nickel | WH White |

Custom Colors Available (inside of tub is always white enamel):
Painted bathtubs are considered "special order" and are not returnable
\$160 Bisque or Black \$250 Designer Color



Dimensions of fixture are nominal and may vary within the range of tolerances established by ANSI Standard A112.19.2. Dimensions and specifications subject to change without notice.