

**CONRAD  
60" CAST IRON  
DOUBLE ROLL  
TOP TUB**

Cat. No.  
CTDR7H60B



L: 60"  
W: 30"  
H: 23 3/4" (from floor to top of tub)

Depth: 13" to overflow  
17 3/4" at drain

**Features:**

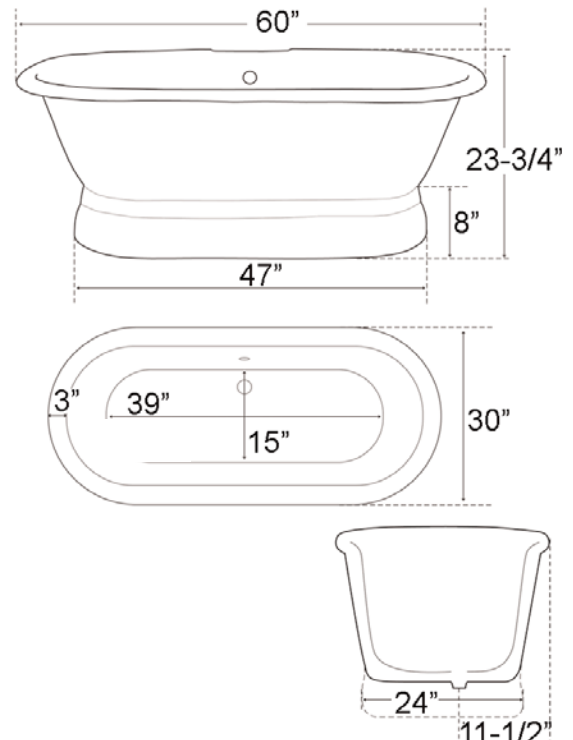
- ▶ Inside finish is white enamel
- ▶ One piece tub with integrated base
- ▶ Tub exterior is white (expoxy)
- ▶ 7" centers in tub deck
- ▶ Tub is thoroughly inspected before shipment



**Custom Colors Available** (inside of tub is always white enamel):  
Painted bathtubs are considered "special order" and are not returnable  
\$160 Bisque or Black \$250 Designer Color

**The following is recommended for CTR7H60 tubs:**

- Rim-mounted faucet: part #4601
- Straight bath supplies: part #5577
- Leg tub drain: part #5599
- For use with shower curtain rod:  
**Part# 4062, 4045**
- Complete shower unit: **Part# 4063**



Gallon Capacity: 32  
Shipping Weight: 520 lbs.  
Empty Weight: 340 lbs.  
Filled Weight: 607 lbs.

Dimensions of fixture are nominal and may vary within the range of tolerances established by ANSI Standard A112.19.2. Dimensions and specifications subject to change without notice.