

**FERNANDO  
67" CAST IRON  
DOUBLE ROLL TUB**

Cat. No.  
CTBATN67MS



L: 67"  
W: 26 5/8"  
H: 28" (from floor to top of tub)

Water depth: 13" to overflow

**Features:**

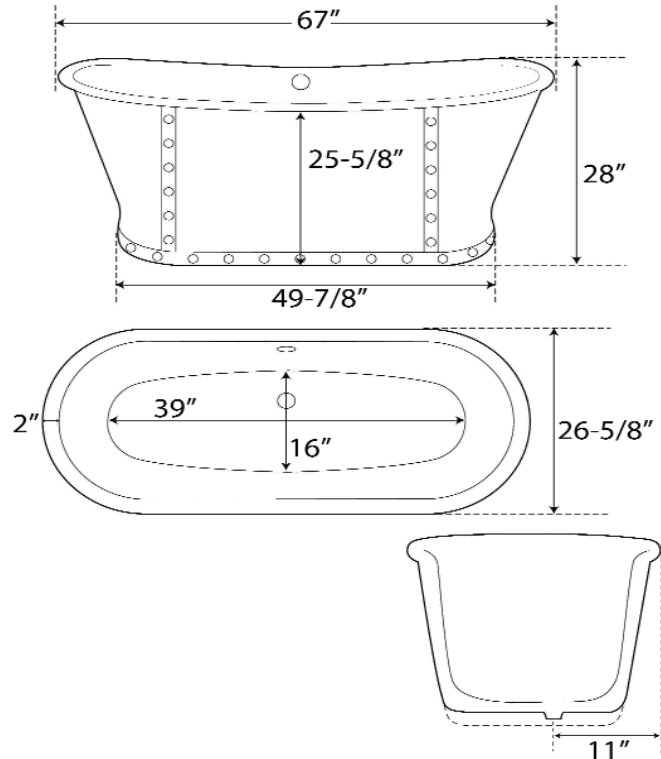
- ▶ Inside finish is white enamel
- ▶ Cast iron tub wrapped in gray metal skirt
- ▶ No faucet holes
- ▶ Tub is thoroughly inspected before shipment

**Custom Colors Available** (inside of tub is always white enamel):  
Painted bathtubs are considered "special order" and are not returnable  
\$160 Bisque or Black \$250 Designer Color

**The following is recommended for CTBAT67MS tubs:**

- Faucet: part #4602, 7393 or 7410
- Rigid, freestanding supplies: part #4502
- Leg tub drain: part #5599

Gallon Capacity:	35
Shipping Weight:	504 lbs.
Empty Weight:	324 lbs.
Filled Weight:	617 lbs.



Dimensions of fixture are nominal and may vary within the range of tolerances established by ANSI Standard A112.19.2. Dimensions and specifications subject to change without notice.