

**NAPLES
73" COPPER
SLIPPER TUB**

Cat. No.
COTSN73JF



L: 72 1/4"
W: 36"
H: 25 1/2" - 34"

Rim: 2" W
Water depth: 16 1/2" to top of tub
Water depth: 13 3/4" to OF

The following is recommended for COTSN tubs without faucet holes:

- Faucet: **Part #4602, 7393 or 7410**
- Freestanding bath supplies: **Part# 4502**
- Leg tub drain: **Part# 5599LT**



Overflow can be drilled .
With overflow drilled this tub
requires drain 5599PD.
**Tubs that have been
drilled with overflow are
"special order" and
are not returnable.**

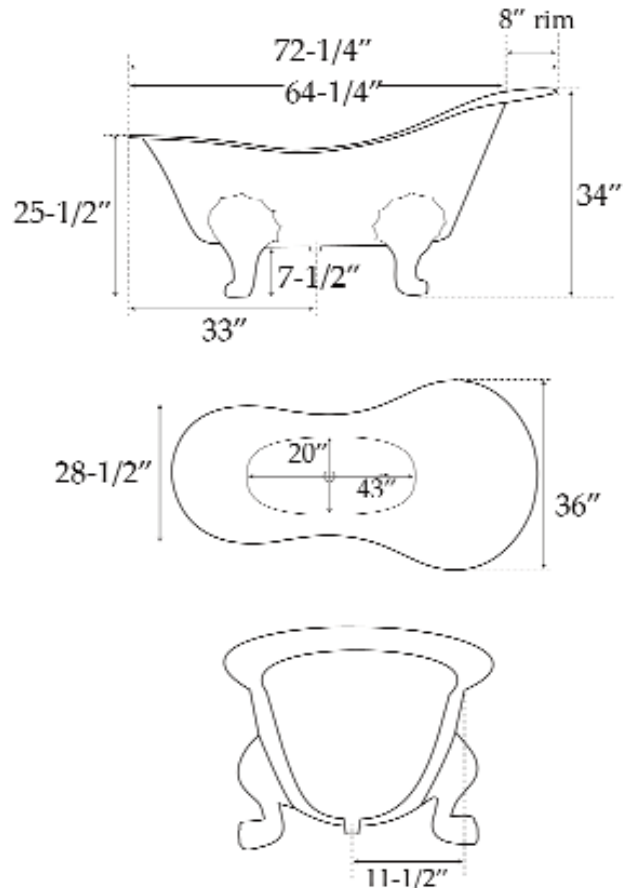
Gallon Capacity without OF: 61
Gallon Capacity with OF: 51
Shipping Weight: 350 lbs.
Empty Weight: 150 lbs.
Filled Weight without OF: 660 lbs.
Filled Weight with OF: 576 lbs.

Features:

- ▶ Constructed of 16 gauge copper
(Copper is a living finish and will patina over time)
- ▶ Hammered antique copper with polished copper interior
- ▶ Hand polished
- ▶ No faucet holes
- ▶ No overflow
- ▶ Exquisitely crafted copper feet make this tub truly unique
- ▶ Hand-crafted construction makes each tub unique

Tub Finishes:

AP Hammered Antique Copper/Polished Copper Interior



Dimensions and specifications subject to change without notice.