

**72" BOLERO
COPPER DOUBLE
SLIPPER TUB**

Cat. No.
COTDSN72S



L: 72"
W: 36"
H: 32"

Rim: 2 5/8" W
Overflow hole: 1 3/4"
Water depth: 13" to overflow
Overflow: 19" from floor

The following is recommended for COTDSN tubs without faucet holes:

- Faucet: **Part# 4602, 7393, or 7410**
- Freestanding bath supplies: **Part# 4502**
- Leg tub drain: **Part# 5599E**

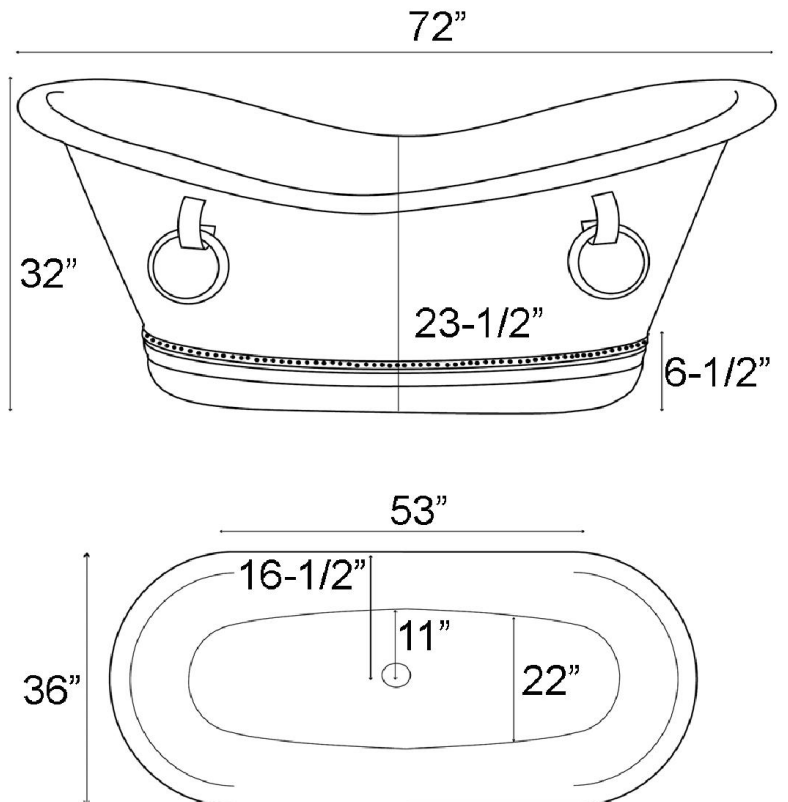
Gallon Capacity:	65
Shipping Weight:	235 lbs.
Empty Weight:	170 lbs.
Filled Weight:	713 lbs.

Features:

- ▶ Made of 16 gauge copper
(Copper is a living finish and will patina over time)
- ▶ Hammered antique copper inside and out
- ▶ Smooth rim and base
- ▶ Decorative hammered copper rings
- ▶ Hand polished
- ▶ Double Slipper
- ▶ Includes base
- ▶ No faucet holes

Tub Finishes:

AC Hammered Antique Copper



Dimensions and specifications subject to change without notice.