

**AMARA & ASTHON
COPPER DOUBLE
SLIPPER TUB**

Cat. No.
COTDSN72P



L: 72"
W: 33"
H: 31 1/2"

Rim: 2 5/8" W
Overflow hole: 1 5/8"
Water depth: 14" to overflow
Overflow: 20" from floor

The following is recommended for COTDSN tubs without faucet holes:

- Free standing faucet: **Part# 4602**
- Free standing bath supplies: **Part# 4502**
- Leg tub drain: **Part# 5599**

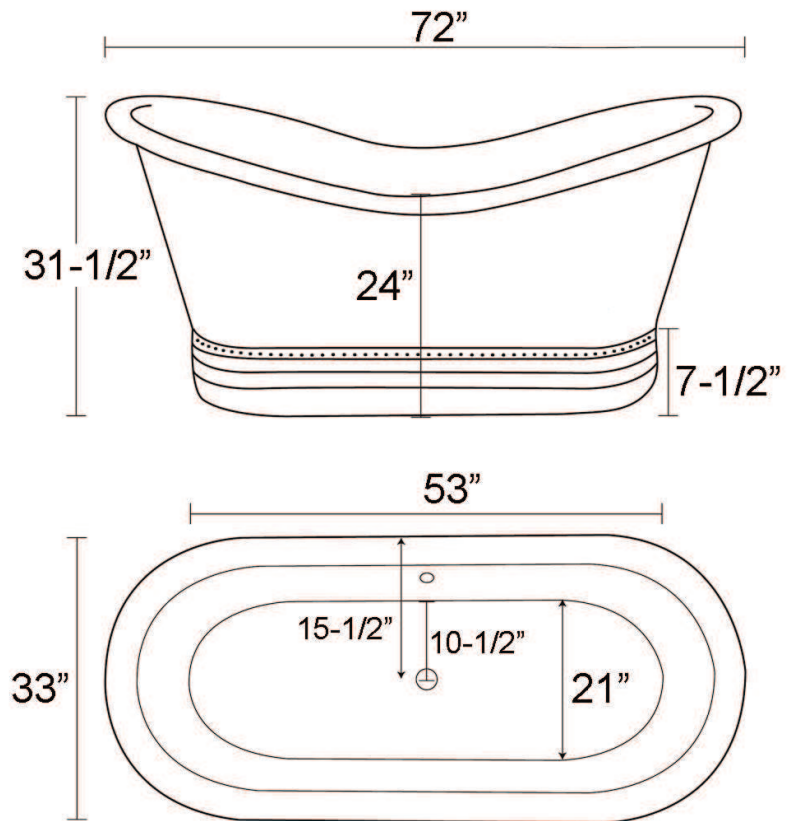
Gallon Capacity:	70
Shipping Weight:	325 lbs.
Empty Weight:	170 lbs.
Filled Weight:	755 lbs.

Features:

- ▶ Made of 16 gauge copper
(Copper is a living finish and will patina over time)
- ▶ Hammered antique copper exterior
- ▶ Available with hammered antique copper (Amara) or nickel plated interior (Ashton)
- ▶ Hand polished
- ▶ Double Slipper
- ▶ Includes base
- ▶ No faucet holes

Tub Finishes:

- AC** Hammered Antique Copper
- CN** Hammered Antique Copper/Nickel



Dimensions and specifications subject to change without notice.