

72" GALILEO COPPER DOUBLE SLIPPER TUB

Cat. No.

COTDSN71B



L: 72"
W: 31-1/8"
H: 30"

Water depth: 18-1/4" to top of tub

The following is recommended for COTDSN71B tubs without faucet holes:

- Faucet: part #4602, 4604 or 7082
- Freestanding bath supplies: part # 4502
- Leg tub drain: Part# 5599LT or 5599TS

Note: Mosaic glass can be cleaned with non-ammonia glass cleaner

WARNING: Do Not Get Any Glass Cleaner On Copper Tub Surface

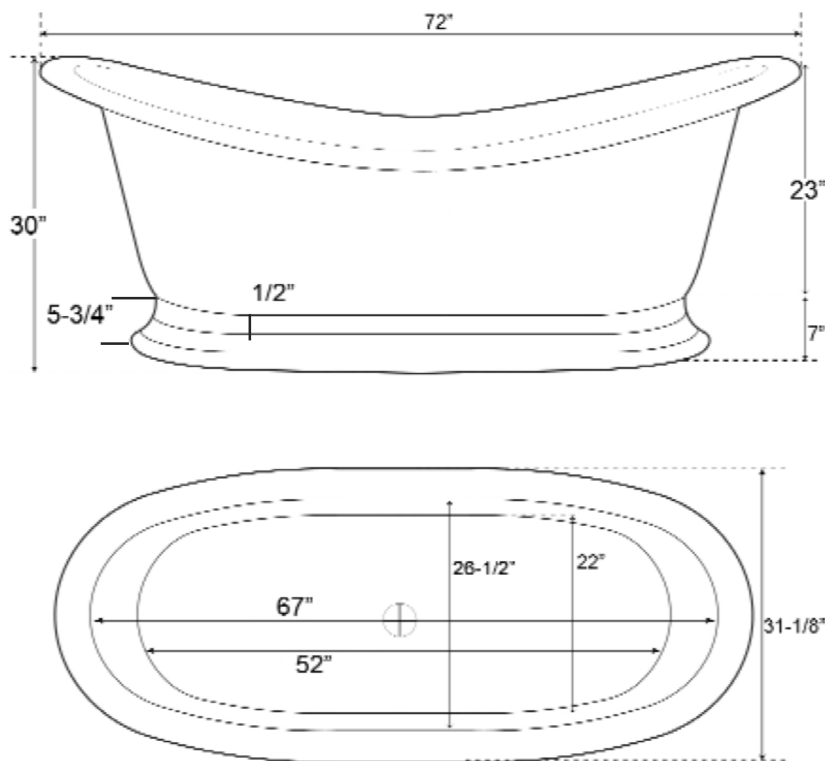
Gallon Capacity:	68
Shipping Weight:	258 lbs.
Empty Weight:	132 lbs.
Filled Weight:	696 lbs.

Features:

- ▶ Constructed of 16 gauge copper (Copper is a living finish and will patina over time)
- ▶ Interior is hammered nickel
- ▶ Artistic exterior is created using glass mosaic tiles attached with mastic and grout
- ▶ No faucet holes
- ▶ No overflow
- ▶ Overflow cannot be drilled on this tub
- ▶ Includes decorative copper base
- ▶ Drain is in the center of the tub
- ▶ Hand-crafted construction makes each tub unique
- ▶ Tub is thoroughly inspected before shipment
- ▶ Hammered Interior
- ▶ Rim: 2-1/2"

Tub Finishes:

MN Mosaic/Hammered Nickel



Dimensions and specifications subject to change without notice.

05/31/2023

P 847•244•1234

www.barclayproducts.com