

**66" BAYLIS
COPPER DOUBLE
SLIPPER TUB**

Cat. No.
COTDSN66S



L: 66"
W: 34"
H: 30"

Water depth: 13" to overflow
Overflow: 19" from floor

The following is recommended for COTDSN tubs without faucet holes:

- Faucet: **Part# 4602, 7393, or 7410**
- Free standing bath supplies: **Part# 4502**
- Leg tub drain: **Part# 5599E**

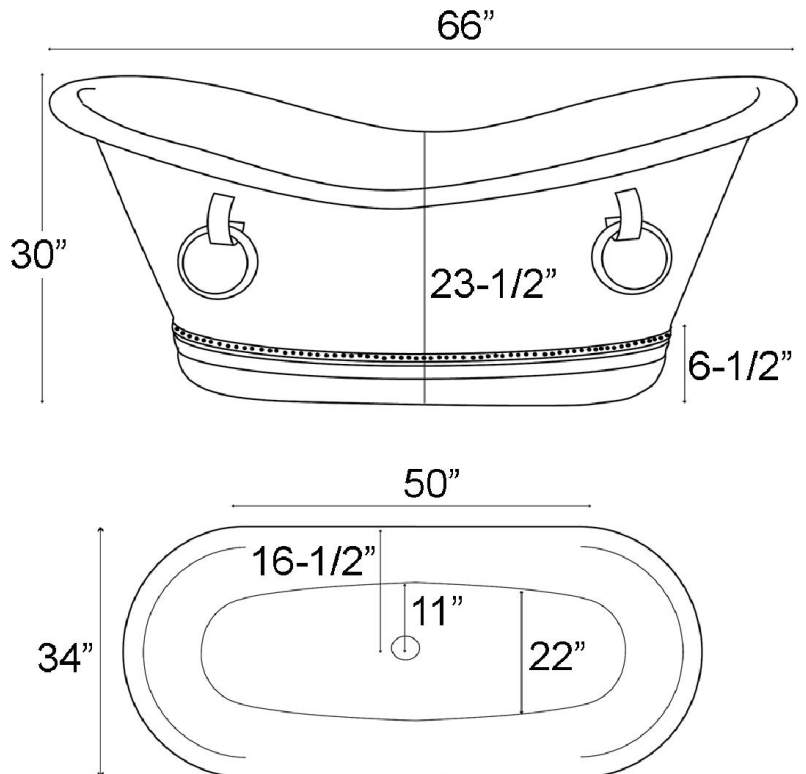
Gallon Capacity: 60
Shipping Weight: 225 lbs.
Empty Weight: 170 lbs.
Filled Weight: 671 lbs.

Features:

- ▶ Made of 16 gauge copper
(Copper is a living finish and will patina over time)
- ▶ Hammered antique copper inside and out
- ▶ No faucet holes
- ▶ Pre-drilled overflow hole
- ▶ Rim is 2-5/8"
- ▶ Decorative hammered copper rings
- ▶ Hand polished
- ▶ Includes base

Tub Finishes:

AC Hammered Antique Copper



Dimensions and specifications subject to change without notice.