

**ALLEGRO & ANKARA
COPPER DOUBLE
SLIPPER TUB**

Cat. No.
COTDSN66P



L: 66"
W: 31 1/2"
H: 31 3/8"

Rim: 2 1/2" W
Overflow hole: 1 5/8"
Water depth: 14 3/4" to overflow
Overflow: 19 3/4" from floor

The following is recommended for COTDSN tubs without faucet holes:

- Free standing faucet: **Part# 4602**
- Free standing bath supplies: **Part# 4502**
- Leg tub drain: **Part# 5599**

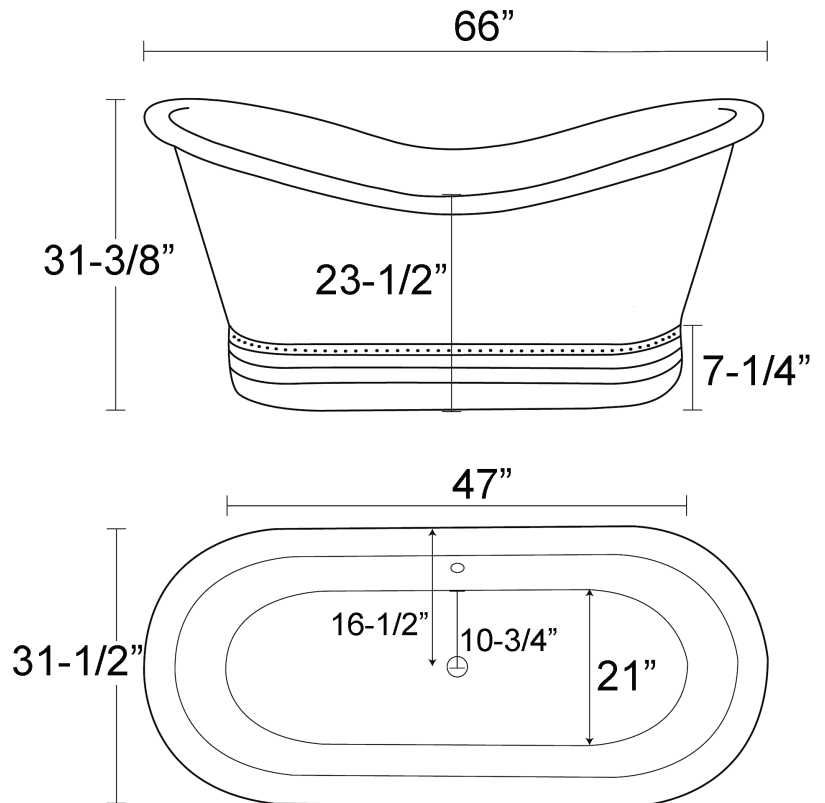
Gallon Capacity:	63
Shipping Weight:	325 lbs.
Empty Weight:	170 lbs.
Filled Weight:	696 lbs.

Features:

- ▶ Made of 16 gauge copper
(Copper is a living finish and will patina over time)
- ▶ Hammered antique copper exterior
- ▶ Available with hammered antique copper (Allegro) or nickel plated interior (Ankara)
- ▶ Hand polished
- ▶ Double Slipper
- ▶ Includes base
- ▶ No faucet holes

Tub Finishes:

- AC** Hammered Antique Copper
- CN** Hammered Antique Copper/Nickel



Dimensions and specifications subject to change without notice.