

**CALUMET
COPPER DOUBLE
SLIPPER TUB**

Cat. No.
COTDSN66L



L: 66"
W: 33"
H: 30"

Rim: 2 1/2" W
Overflow hole: 1 5/8"
Overflow: 20 3/4" from floor
Water depth: 15 5/8" to overflow

The following is recommended for COTDSN tubs without faucet holes:

- Free standing faucet: **Part# 4602**
- Free standing bath supplies: **Part# 4502**
- Leg tub drain: **Part# 5599**

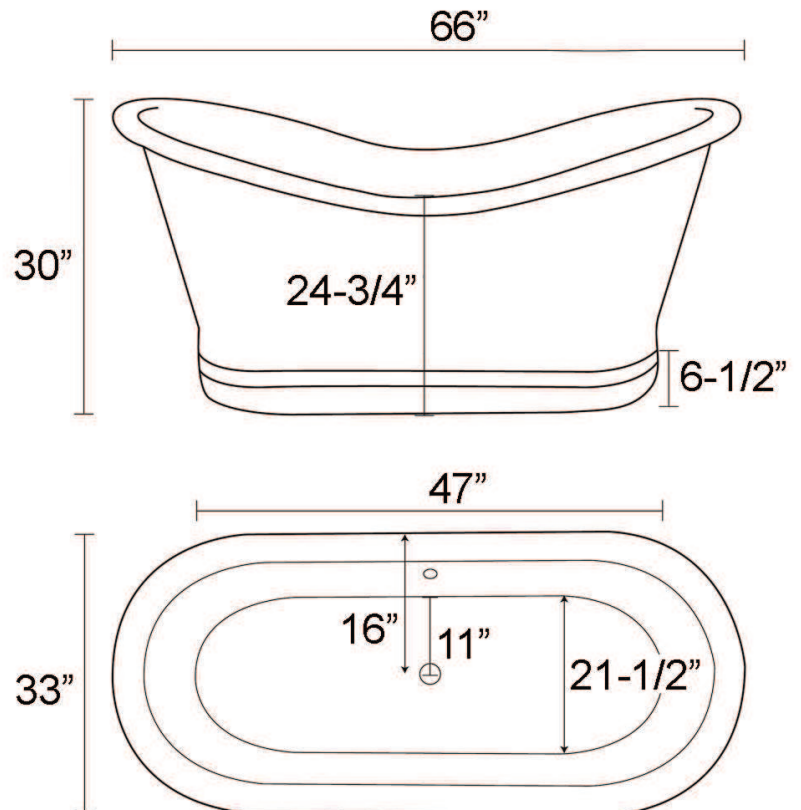
Gallon Capacity:	68
Shipping Weight:	325 lbs.
Empty Weight:	170 lbs.
Filled Weight:	738 lbs.

Features:

- ▶ Made of 16 gauge copper
(Copper is a living finish and will patina over time)
- ▶ Smooth antique finish
- ▶ Hand polished
- ▶ Available in 2 finishes
- ▶ Double Slipper
- ▶ Includes base
- ▶ No faucet holes

Tub Finishes:

- CN** Hammered Antique Copper/Nickel Interior
- SAC** Smooth Antique Copper



Dimensions and specifications subject to change without notice.