

**SOMERSET
77" COPPER DOUBLE
ROLL TUB**

Cat. No.
COTDRN75B-AC



L: 77"
W: 41"
H: 24"

Rim: 3" W
Water depth: 18 1/2" to top of tub
Water depth: 15 3/4" to OF

The following is recommended for COTDR tubs without faucet holes:
 •Faucet: **Part #4602, 7393 or 7410**
 •Freestanding bath supplies: **Part# 4502**
 •Leg tub drain: **Part# 5599LT**



Overflow can be drilled.
 With overflow drilled this tub requires drain 5599PD.
Tubs that have been drilled with overflow are "special order" and are not returnable.

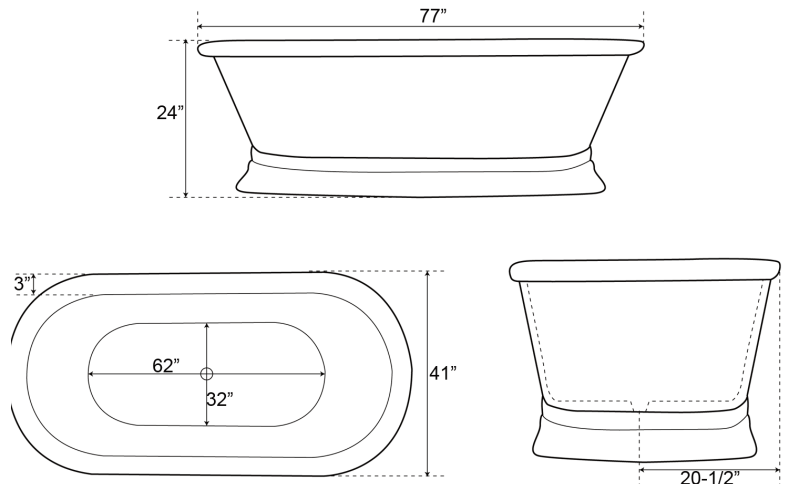
Gallon Capacity without OF: 158
 Gallon Capacity with OF: 135
 Shipping Weight: 325 lbs.
 Empty Weight: 100 lbs.
 Filled Weight without OF: 1,420 lbs.
 Filled Weight with OF: 1,227 lbs.

Features:

- ▶ Constructed of 16 gauge copper
(Copper is a living finish and will patina over time)
- ▶ Hammered antique copper inside and out
- ▶ Hand polished
- ▶ No faucet holes
- ▶ No overflow
- ▶ Decorative base included
- ▶ Drain is in the center of the tub
- ▶ Hand-crafted construction makes each tub unique

Tub Finishes:

AC Antique Copper



Dimensions and specifications subject to change without notice.