

INSTALLATION INSTRUCTIONS

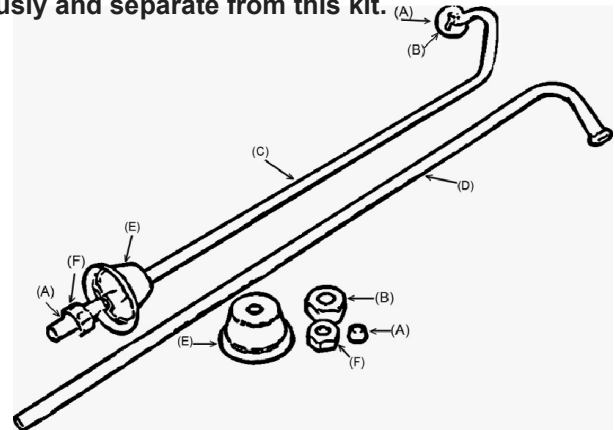
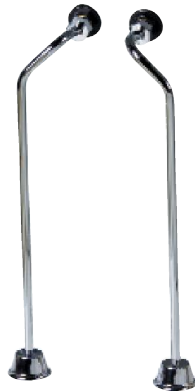
Parts Included

- 4 Cone Washers (A) • 2 Plated Locknuts (B) • Left Supply Tube (C) •
- Right Supply Tube (D) • 2 Escutcheons (E) • 2 Brass Locknuts (F) •

Tools Needed

- Adjustable Wrench • Set of Crescent Wrenches • Pliers • Teflon Tape (use as a sealant on all male threaded tubing) •

This water supply tube kit includes the parts listed above ONLY. The faucet in your bathtub should be purchased previously and separate from this kit.



To Assemble Tubes

1. First be sure to shut off the the water supply. Remove old water supply tubing.
2. Slide a plated locknut (B) onto the top of the left supply tube (C) and put on a cone washer (A) inward.
3. On the bottom of the left supply tube (C), slide one of the escutcheons (E) up the tube partway, then slide the brass locknut (F) up the end of the tube (C) directly under the escutcheon.
4. Put another cone washer (A) with the wide end of the washer downward onto the bottom end of the tube (C).
5. Repeat steps 1-4 using the right supply tube (D).

To Install Tubes

1. Attach the bottom end of the left supply tube (C) to the water supply tubing in your floor by screwing the brass locknut (F) down. Let the escutcheon (E) slide down to the floor.
2. Attach the upper end of the left supply tube (C) to the “cold side” faucet supply tube located on the rear of your tub by inserting the supply tube (C) into the faucet supply tube and tightly screw the plated locknut (B).
3. Repeat steps 1-2 using the right supply tube (D) and connecting it to the “hot side” faucet supply tube.
4. Tighten all connector.
5. Test all threaded connections for leaks. Re-thread connections using teflon tape to prevent leaks if necessary.

NOTE: Please seek professional help if you have copper plumbing in your home. To use on concrete floors requires special installation. We recommend using a plumbing professional

Cleaning Instructions

Wipe this whole set off with warm water and a soft cloth. DO NOT use soaps, cleansers, or brass cleaners as they will disintegrate the protective lacquer coating and leave the brass exposed causing it to tarnish.