

**3672W**

35<sup>1</sup>/<sub>2</sub>" x 71<sup>1</sup>/<sub>2</sub>" x 23"

**Installation:** Drop-in  
cannot be under mounted

**GENERAL SPECIFICATIONS:**

**Material** Acrylic

**Plumbed Weight :** 135lbs / 61kg

**Soaker Weight :** 105lbs / 43kg

**Average Fill:** 60gal to above jet level

**ELECTRICAL SPECIFICATIONS:**

Required Electrical Service 110 Volt

Air Bath or Whirlpool 1-15 amp GFCI

Whirlpool with Inline Heater 1-15 amp GFCI

Whirlpool and Air 1-20 amp GFCI

Soaker

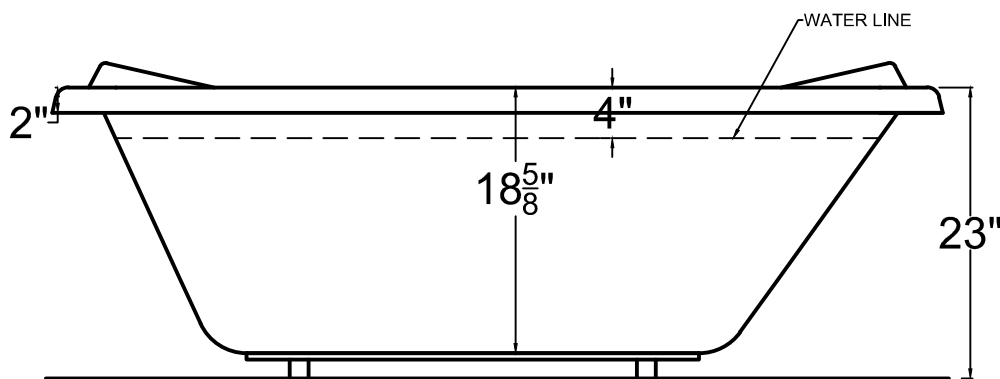
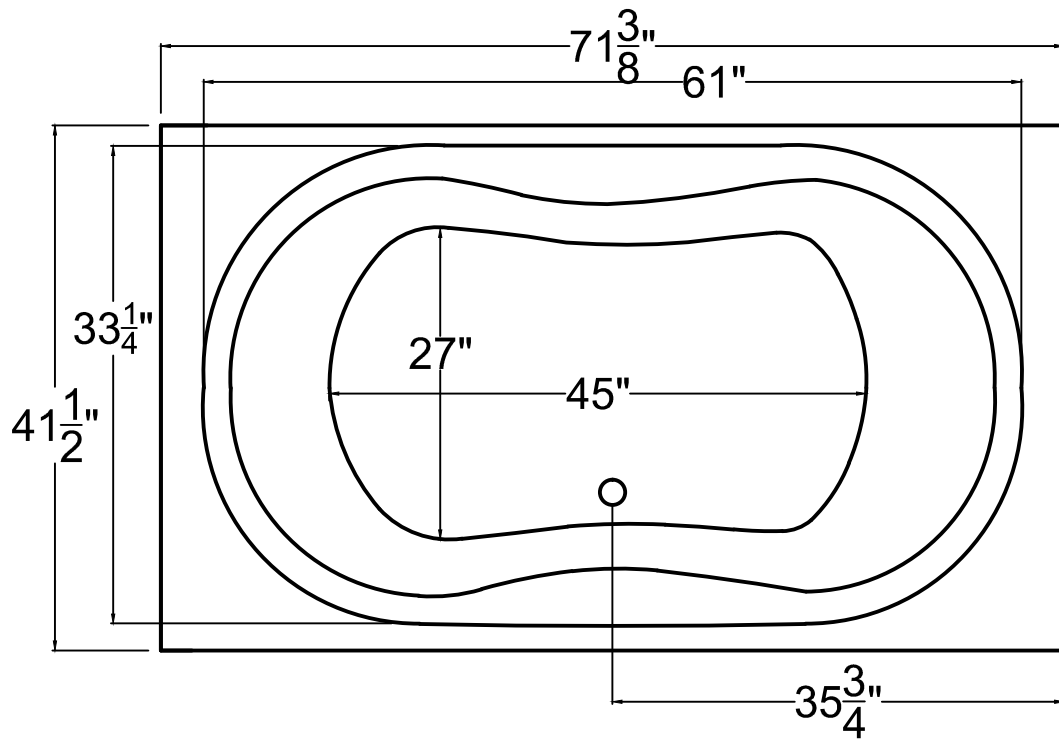
**PACKAGES AND OPTIONS**

Hydrotherapy Package	Package Contents	Part #
Soaker	Soaking bath - no jets, textured bottom	3672WS
Whirlpool	Adjustable pointed-massage jets, 1-hp pump, textured bottom	3672WH
Air Bath	Air jets, Air blower, Textured bottom	3672WA
Whirlpool and Air	Adjustable pointed-massage jets, 1-hp pump, Air jets, Air blower, textured bottom	3672WD

- OPTIONS
- Colors Available - White Biscuit
- Quick Ship - reduces lead time - call for availability
- Inline Heater with Pump - Whirlpool or Whirlpool and Air
- Lift & Turn Drain Kit -Chrome,Brushed Nickel, White
- Color Match Jets.

**IMPORTANT INFORMATION**

- Before ordering or installing, please consider future access to equipment.
- Add bedding compound to fully level and support bottom of tub.
- Tubs equipped with an air bath or a pre-leveled foam base are designed to rest on the floor without bedding compound, provided the floor is level.
- Please measure tub on-site before building tub decking.
- Jet, pump & blower locations are predetermined and cannot be changed.
- Suction and control locations may vary.
- Specifications and configurations are subject to change without notice.
- Measurements are +1/2" and are subject to change without notice.
- Measurements herein supersede all others published prior to publication date shown below.



## 4272W

41 $\frac{1}{2}$ " x 71 $\frac{3}{8}$ " x 23"

**Installation:** Drop-in  
cannot be under mounted

### GENERAL SPECIFICATIONS:

**Material** Acrylic

**Plumbed Weight :** 145lbs / 66 kg

**Soaker Weight :** 115 lbs / 52 kg

**Average Fill:** 65 gal to above jet level

### ELECTRICAL SPECIFICATIONS:

Required Electrical Service 110 Volt

Air Bath or Whirlpool 1-15 amp GFCI

Whirlpool with Inline Heater 1-20 amp GFCI

Dual Bath 1-20 amp GFCI

Soaker

### PACKAGES AND OPTIONS

Hydrotherapy Package	Package Contents	Part #
<b>Soaker</b>	soaking bath - no jets, textured bottom	4272WS
<b>Whirlpool</b>	8point-massage jets, 1-hp pump, textured bottom	4272WH
<b>Air Bath</b>	12 air jets, air blower, textured bottom	4272WA
<b>Dual Bath</b>	8 point-massage jets, 1-hp pump, 12 air jets, air blower, textured bottom	4272WD

### OPTIONS

Colors Available - White Biscuit

Quick Ship - reduces lead time - call for availability

Inline Heater with Pump - Whirlpool or Dual Bath

Lift & Turn Drain Kit -Chrome,Brushed Nickel, White

### IMPORTANT INFORMATION

- Before ordering or installing, please consider future access to equipment.
- Add bedding compound to fully level and support bottom of tub.
- Tubs equipped with an air bath or a pre-leveled foam base are designed to rest on the floor without bedding compound, provided the floor is level.
- Please measure tub on-site before building tub decking.
- Jet, pump & blower locations are predetermined and cannot be changed.
- Suction and control locations may vary.
- Specifications and configurations are subject to change without notice.
- Measurements are +1/2" and are subject to change without notice.
- Measurements herein supersede all others published prior to publication date shown below.