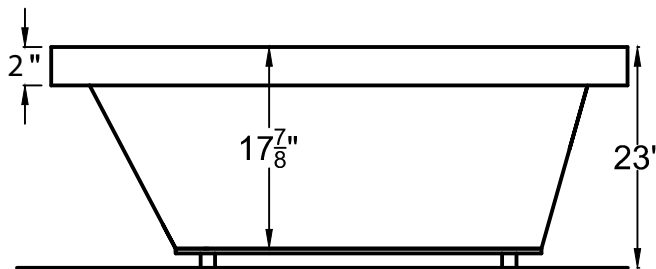
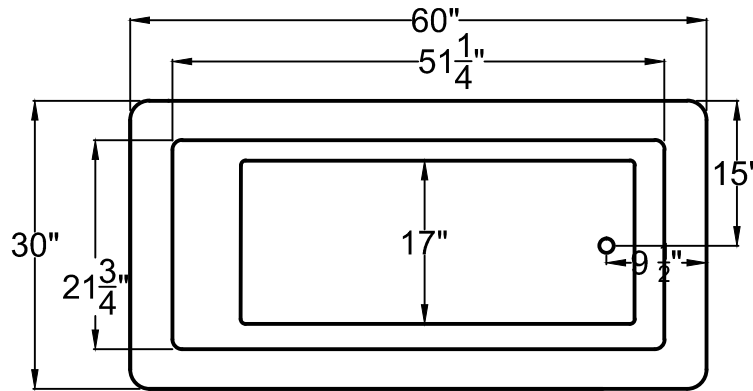


3060VN

30" x 60" x 23"

Installation: Drop-in
cannot be under mounted



GENERAL SPECIFICATIONS:

Material Acrylic

Plumbed Weight : 160lbs / 73 kg

Soaker Weight :130 lbs / 59 kg

Average Fill: 50 gal to above jet level

ELECTRICAL SPECIFICATIONS:

Required Electrical Service 110 Volt

Air Bath or Whirlpool 1-15 amp GFCI

Whirlpool with Inline Heater 1-20amp GFCI

Whirlpool and Air 1-20 amp GFCI

Soaker

PACKAGES AND OPTIONS

Hydrotherapy Package	Package Contents	Part #
Soaker	Soaking bath - no jets, textured bottom	3060VNS
Whirlpool	Adjustable pointed-massage jets, 1-hp pump, textured bottom	3060VNH
Air Bath	Air jets, Air blower, Textured bottom	3060VNA
Whirlpool and Air	Adjustable pointed-massage jets, 1-hp pump, Air jets, Air blower, textured bottom	3060VND

OPTIONS

Colors Available - White Biscuit

Quick Ship - reduces lead time - call for availability

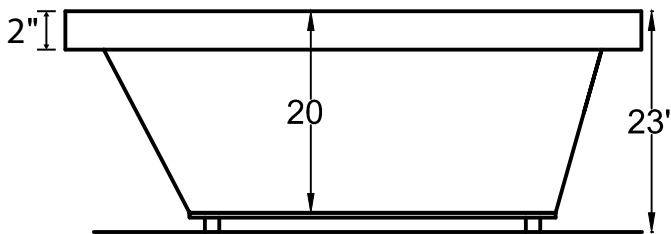
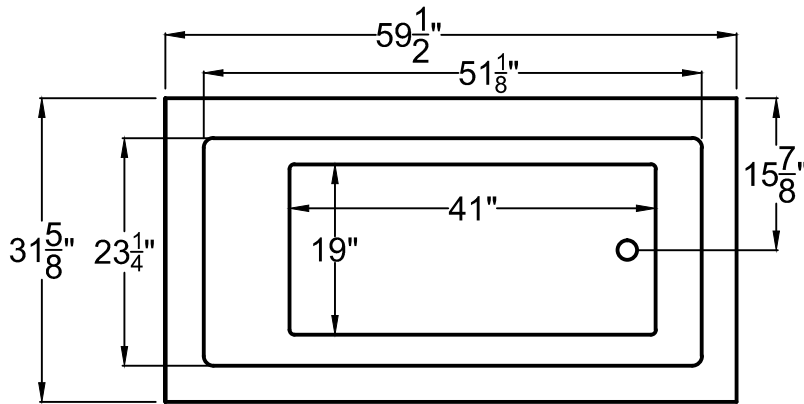
Inline Heater with Pump - Whirlpool or Whirlpool and Air

Lift & Turn Drain Kit -Chrome,Brushed Nickel, White

Color Match Jets.

IMPORTANT INFORMATION

- Before ordering or installing, please consider future access to equipment.
- Add bedding compound to fully level and support bottom of tub.
- Tubs equipped with an air bath or a pre-leveled foam base are designed to rest on the floor without bedding compound, provided the floor is level.
- Please measure tub on-site before building tub decking.
- Jet, pump & blower locations are predetermined and cannot be changed.
- Suction and control locations may vary.
- Specifications and configurations are subject to change without notice.
- Measurements are +1/2" and are subject to change without notice.
- Measurements herein supersede all others published prior to publication date shown below.



3260VN

32⁵/₈" x 59¹/₂" x 23"

Installation: Drop-in
cannot be under mounted

GENERAL SPECIFICATIONS:

Material Acrylic

Plumbed Weight : 160lbs / 73 kg

Soaker Weight : 130 lbs / 59 kg

Average Fill: 55 gal to above jet level

ELECTRICAL SPECIFICATIONS:

Required Electrical Service 110 Volt

Air Bath or Whirlpool 1-15 amp GFCI

Whirlpool with Inline Heater 1-20 amp GFCI

Whirlpool and Air 1-20 amp GFCI

Soaker

PACKAGES AND OPTIONS

Hydrotherapy Package	Package Contents	Part #
Soaker	Soaking bath - no jets, textured bottom	3260VNS
Whirlpool	Adjustable pointed-massage jets, 1-hp pump, textured bottom	3260VNH
Air Bath	Air jets, Air blower, Textured bottom	3260VNA
Whirlpool and Air	Adjustable pointed-massage jets, 1-hp pump, Air jets, Air blower, textured bottom	3260VND

OPTIONS

Colors Available - White Biscuit

Quick Ship - reduces lead time - call for availability

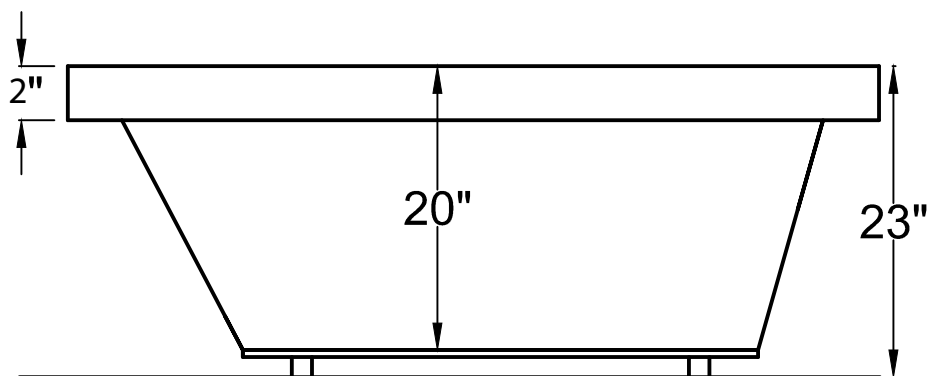
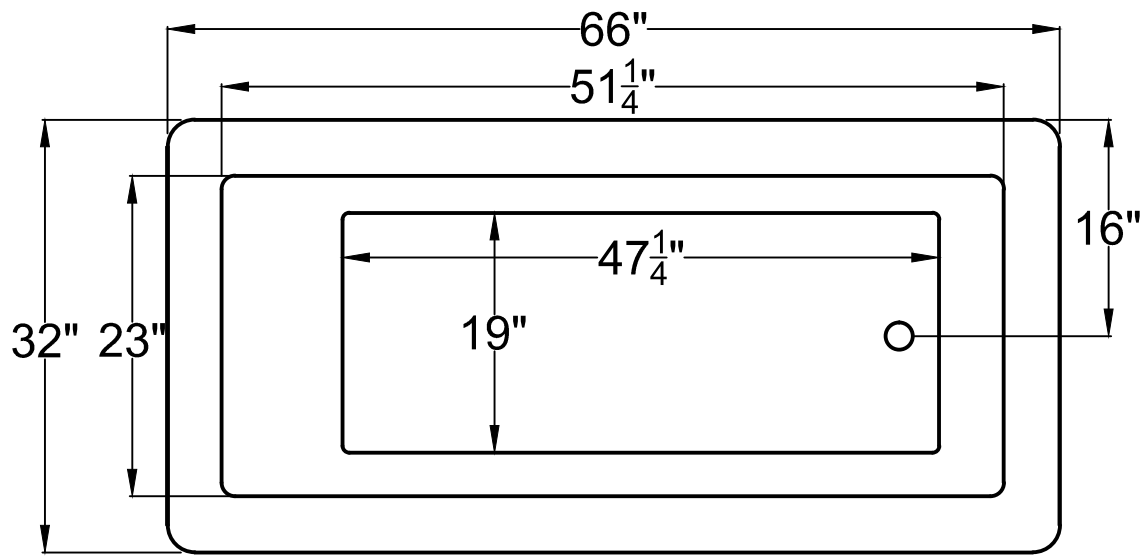
Inline Heater with Pump - Whirlpool or Whirlpool and Air

Lift & Turn Drain Kit -Chrome,Brushed Nickel, White

Color Match Jets.

IMPORTANT INFORMATION

- Before ordering or installing, please consider future access to equipment.
- Add bedding compound to fully level and support bottom of tub.
- Tubs equipped with an air bath or a pre-leveled foam base are designed to rest on the floor without bedding compound, provided the floor is level.
- Please measure tub on-site before building tub decking.
- Jet, pump & blower locations are predetermined and cannot be changed.
- Suction and control locations may vary.
- Specifications and configurations are subject to change without notice.
- Measurements are +1/2" and are subject to change without notice.
- Measurements herein supersede all others published prior to publication date shown below.



3266VN

32" x 66" x 23"

Installation: Drop-in
cannot be under mounted

GENERAL SPECIFICATIONS:

Material Acrylic

Plumbed Weight : 160lbs / 73kg

Soaker Weight : 130lbs /59kg

Average Fill: 60gal to above jet level

ELECTRICAL SPECIFICATIONS:

Required Electrical	Service 110 Volt
Air Bath or Whirlpool	1-15 amp GFCI
Whirlpool with Inline Heater	1-20 amp GFCI
Dual Bath	1-20 amp GFCI
Soaker	

PACKAGES AND OPTIONS

Hydrotherapy Package	Package Contents	Part #
Soaker	soaking bath - no jets, textured bottom	3266VNS
Whirlpool	8point-massage jets, 1-hp pump, textured bottom	3266VNH
Air Bath	31 air jets, air blower, textured bottom	3266VNA
Dual Bath	8 point-massage jets, 1-hp pump, 31 air jets, air blower, textured bottom	3266VND

OPTIONS

Colors Available - White Biscuit

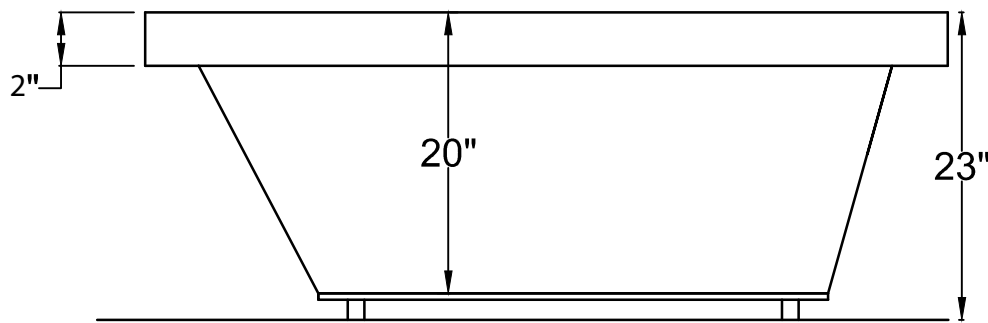
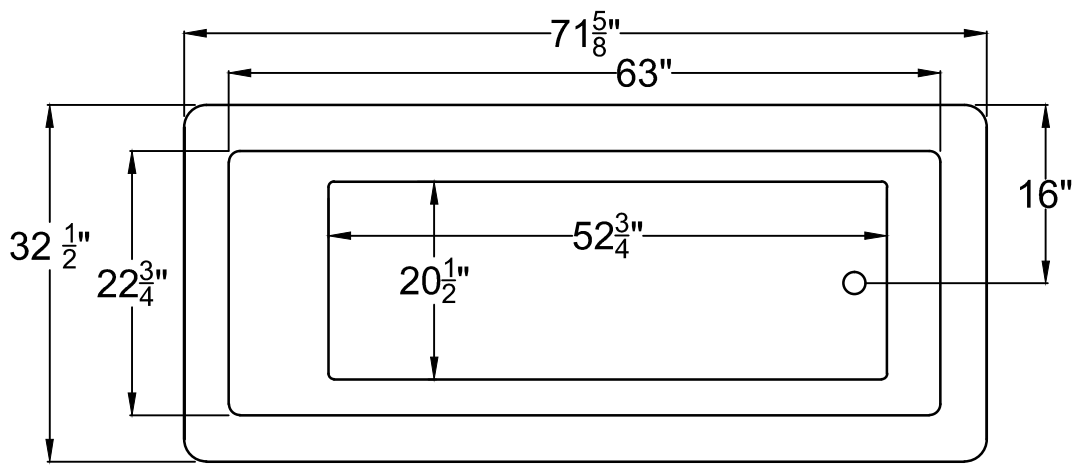
Quick Ship - reduces lead time - call for availability

Inline Heater with Pump - Whirlpool or Dual Bath

Lift & Turn Drain Kit -Chrome,Brushed Nickel, White

IMPORTANT INFORMATION

- Before ordering or installing, please consider future access to equipment.
- Add bedding compound to fully level and support bottom of tub.
- Tubs equipped with an air bath or a pre-leveled foam base are designed to rest on the floor without bedding compound, provided the floor is level.
- Please measure tub on-site before building tub decking.
- Jet, pump & blower locations are predetermined and cannot be changed.
- Suction and control locations may vary.
- Specifications and configurations are subject to change without notice.
- Measurements are +1/2" and are subject to change without notice.
- Measurements herein supersede all others published prior to publication date shown below.



3272VN

32" x 72" x 23"

Installation: Drop-in
cannot be under mounted

GENERAL SPECIFICATIONS:

Material Acrylic

Plumbed Weight : 165lbs / 75kg

Soaker Weight : 135lbs / 61kg

Average Fill: 65 gal to above jet level

ELECTRICAL SPECIFICATIONS:

Required Electrical Service 110 Volt

Air Bath or Whirlpool 1-15 amp GFCI

Whirlpool with Inline Heater 1-20 amp GFCI

Dual Bath 1-20 amp GFCI

Soaker

PACKAGES AND OPTIONS

Hydrotherapy Package	Package Contents	Part #
Soaker	soaking bath - no jets, textured bottom	3272VNS
Whirlpool	8point-massage jets, 1-hp pump, textured bottom	3272VNH
Air Bath	12 air jets, air blower, textured bottom	3272VNA
Dual Bath	8 point-massage jets, 1-hp pump, 12 air jets, air blower, textured bottom	3272VND

OPTIONS

Colors Available - White Biscuit

Quick Ship - reduces lead time - call for availability

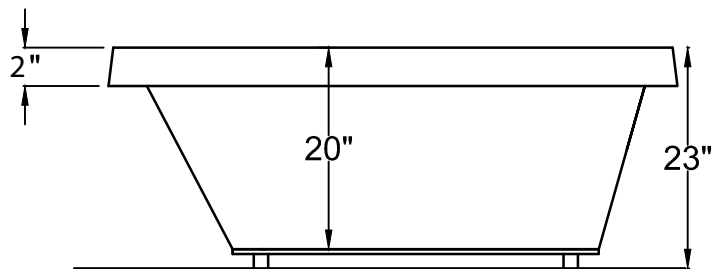
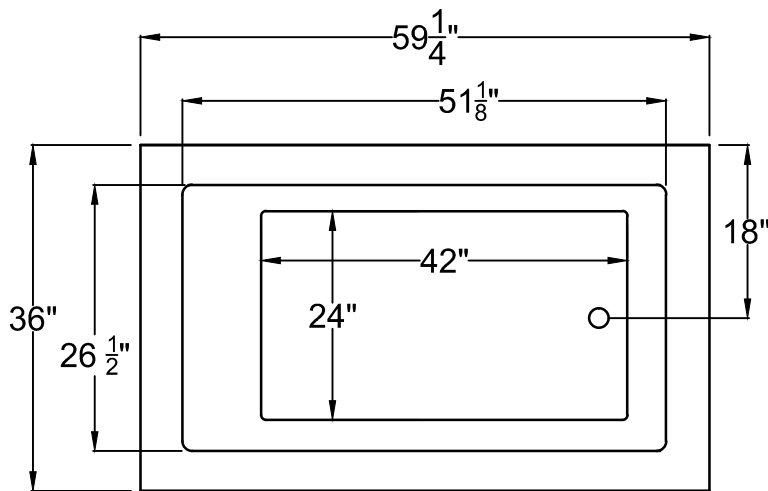
Inline Heater with Pump - Whirlpool or Dual Bath

Lift & Turn Drain Kit -Chrome,Brushed Nickel, White

IMPORTANT INFORMATION

- Before ordering or installing, please consider future access to equipment.
- Add bedding compound to fully level and support bottom of tub.
- Tubs equipped with an air bath or a pre-leveled foam base are designed to rest on the floor without bedding compound, provided the floor is level.
- Please measure tub on-site before building tub decking.
- Jet, pump & blower locations are predetermined and cannot be changed.

- Suction and control locations may vary.
- Specifications and configurations are subject to change without notice.
- Measurements are +1/2" and are subject to change without notice.
- Measurements herein supersede all others published prior to publication date shown below.



3660VN

36" x 59 $\frac{1}{4}$ " x 23"

Installation: Drop-in
cannot be under mounted

GENERAL SPECIFICATIONS:

Material Acrylic

Plumbed Weight : 160lbs / 73 kg

Soaker Weight : 130 lbs / 59 kg

Average Fill: 45 gal to above jet level

ELECTRICAL SPECIFICATIONS:

Required Electrical Service 110 Volt

Air Bath or Whirlpool 1-15 amp GFCI

Whirlpool with Inline Heater 1-20 amp GFCI

Whirlpool and Air 1-20 amp GFCI

Soaker

PACKAGES AND OPTIONS

Hydrotherapy Package	Package Contents	Part #
Soaker	Soaking bath - no jets, textured bottom	3660VNS
Whirlpool	Adjustable pointed-massage jets, 1-hp pump, textured bottom	3660VNH
Air Bath	Air jets, Air blower, Textured bottom	3660VNA
Whirlpool and Air	Adjustable pointed-massage jets, 1-hp pump, Air jets, Air blower, textured bottom	3660VND

OPTIONS

Colors Available - White Biscuit

Quick Ship - reduces lead time - call for availability

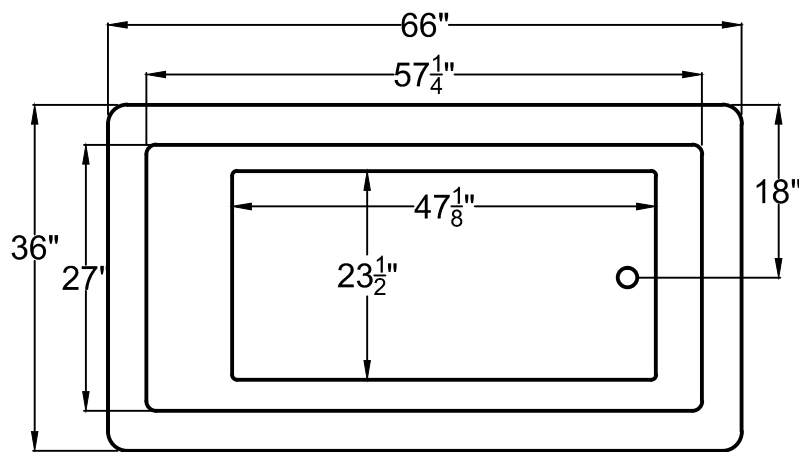
Inline Heater with Pump - Whirlpool or Whirlpool and Air

Lift & Turn Drain Kit -Chrome,Brushed Nickel, White

Color Match Jets.

IMPORTANT INFORMATION

- Before ordering or installing, please consider future access to equipment.
- Add bedding compound to fully level and support bottom of tub.
- Tubs equipped with an air bath or a pre-leveled foam base are designed to rest on the floor without bedding compound, provided the floor is level.
- Please measure tub on-site before building tub decking.
- Jet, pump & blower locations are predetermined and cannot be changed.
- Suction and control locations may vary.
- Specifications and configurations are subject to change without notice.
- Measurements are +1/2" and are subject to change without notice.
- Measurements herein supersede all others published prior to publication date shown below.



3666VN

36" x 66" x 23"

Installation: Drop-in
cannot be under mounted

GENERAL SPECIFICATIONS:

Material Acrylic

Plumbed Weight : 160lbs / 73kg

Soaker Weight : 130 lbs / 59 kg

Average Fill: 60 gal to above jet level

ELECTRICAL SPECIFICATIONS:

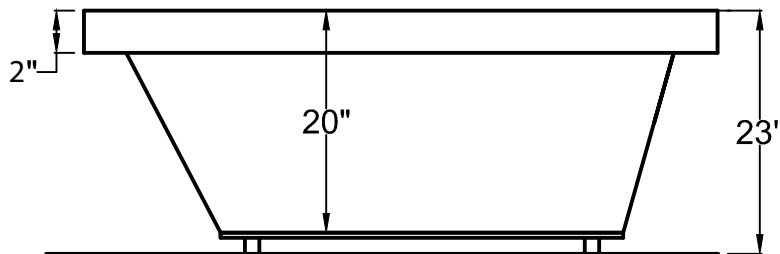
Required Electrical Service 110 Volt

Air Bath or Whirlpool 1-15 amp GFCI

Whirlpool with Inline Heater 1-20 amp GFCI

Whirlpool and Air 1-20 amp GFCI

Soaker



PACKAGES AND OPTIONS

Hydrotherapy Package	Package Contents	Part #
Soaker	Soaking bath - no jets, textured bottom	3666VNS
Whirlpool	Adjustable pointed-massage jets, 1-hp pump, textured bottom	3666VNH
Air Bath	Air jets, Air blower, Textured bottom	3666VNA
Whirlpool and Air	Adjustable pointed-massage jets, 1-hp pump, Air jets, Air blower, textured bottom	3666VND

OPTIONS

Colors Available - White Biscuit

Quick Ship - reduces lead time - call for availability

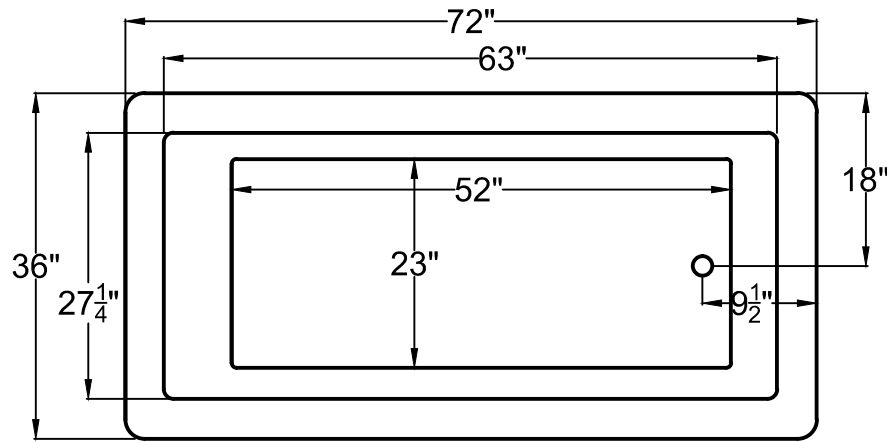
Inline Heater with Pump - Whirlpool or Whirlpool and Air

Lift & Turn Drain Kit -Chrome,Brushed Nickel, White

Color Match Jets.

IMPORTANT INFORMATION

- Before ordering or installing, please consider future access to equipment.
- Add bedding compound to fully level and support bottom of tub.
- Tubs equipped with an air bath or a pre-leveled foam base are designed to rest on the floor without bedding compound, provided the floor is level.
- Please measure tub on-site before building tub decking.
- Jet, pump & blower locations are predetermined and cannot be changed.
- Suction and control locations may vary.
- Specifications and configurations are subject to change without notice.
- Measurements are +1/2" and are subject to change without notice.
- Measurements herein supersede all others published prior to publication date shown below.



3672VN

36" x 72" x 23"

Installation: Drop-in
cannot be under mounted

GENERAL SPECIFICATIONS:

Material Acrylic

Plumbed Weight : 165lbs / 75 kg

Soaker Weight : 135 lbs / 61 kg

Average Fill: 65 gal to above jet level

ELECTRICAL SPECIFICATIONS:

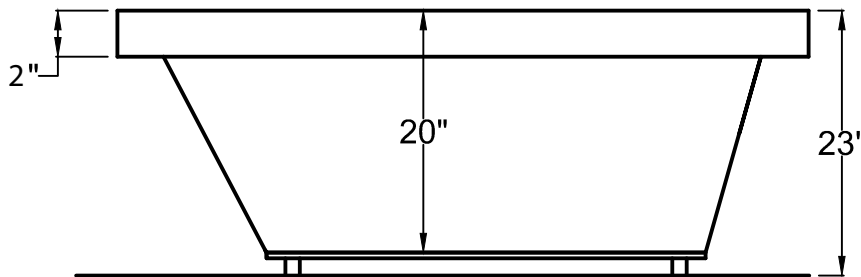
Required Electrical Service 110 Volt

Air Bath or Whirlpool 1-15 amp GFCI

Whirlpool with Inline Heater 1-20 amp GFCI

Whirlpool and Air 1-20 amp GFCI

Soaker



PACKAGES AND OPTIONS

Hydrotherapy Package	Package Contents	Part #
Soaker	Soaking bath - no jets, textured bottom	3672VNS
Whirlpool	Adjustable pointed-massage jets, 1-hp pump, textured bottom	3672VNH
Air Bath	Air jets, Air blower, Textured bottom	3672VNA
Whirlpool and Air	Adjustable pointed-massage jets, 1-hp pump, Air jets, Air blower, textured bottom	3672VND

OPTIONS

Colors Available - White Biscuit

Quick Ship - reduces lead time - call for availability

Inline Heater with Pump - Whirlpool or Whirlpool and Air

Lift & Turn Drain Kit -Chrome,Brushed Nickel, White

Color Match Jets.

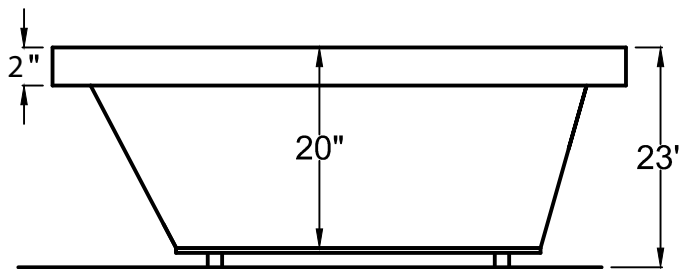
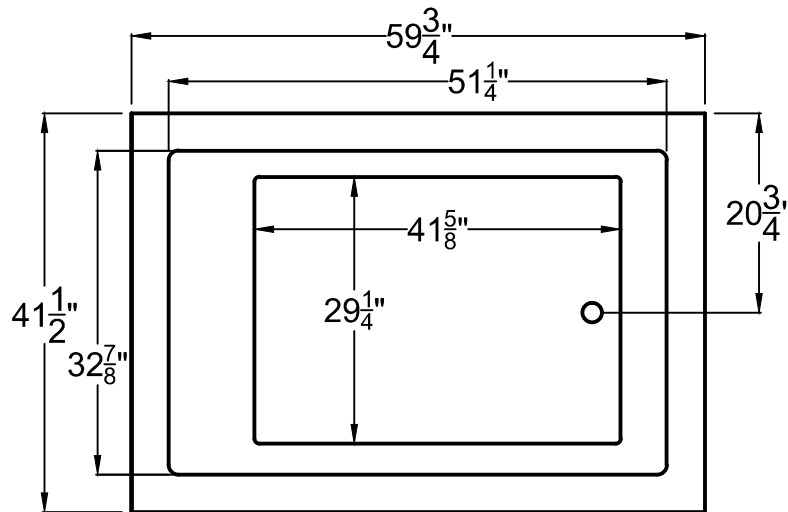
IMPORTANT INFORMATION

- Before ordering or installing, please consider future access to equipment.
- Add bedding compound to fully level and support bottom of tub.
- Tubs equipped with an air bath or a pre-leveled foam base are designed to rest on the floor without bedding compound, provided the floor is level.
- Please measure tub on-site before building tub decking.
- Jet, pump & blower locations are predetermined and cannot be changed.
- Suction and control locations may vary.
- Specifications and configurations are subject to change without notice.
- Measurements are +1/2" and are subject to change without notice.
- Measurements herein supersede all others published prior to publication date shown below.

4260VN

41 $\frac{1}{2}$ " x 59 $\frac{3}{4}$ " x 23"

Installation: Drop-in
cannot be under mounted



GENERAL SPECIFICATIONS:

Material Acrylic

Plumbed Weight : 170lbs / 77kg

Soaker Weight : 140lbs / 63kg

Average Fill: 70 gal to above jet level

ELECTRICAL SPECIFICATIONS:

Required Electrical Service 110 Volt

Air Bath or Whirlpool 1-15 amp GFCI

Whirlpool with Inline Heater 1-20 amp GFCI

Whirlpool and Air 1-20 amp GFCI

Soaker

PACKAGES AND OPTIONS

Hydrotherapy Package	Package Contents	Part #
Soaker	Soaking bath - no jets, textured bottom	4260VNS
Whirlpool	Adjustable pointed-massage jets, 1-hp pump, textured bottom	4260VNH
Air Bath	Air jets, Air blower, Textured bottom	4260VNA
Whirlpool and Air	Adjustable pointed-massage jets, 1-hp pump, Air jets, Air blower, textured bottom	4260VND

OPTIONS

Colors Available - White Biscuit

Quick Ship - reduces lead time - call for availability

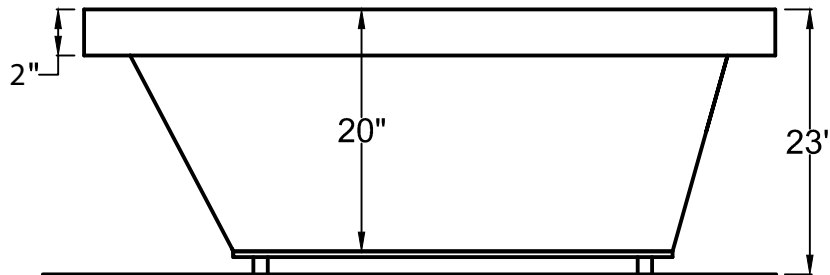
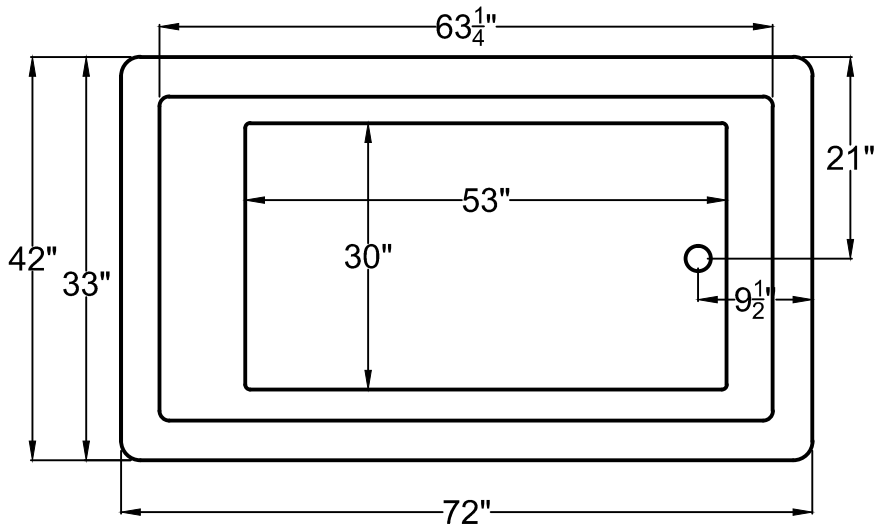
Inline Heater with Pump - Whirlpool or Whirlpool and Air

Lift & Turn Drain Kit -Chrome,Brushed Nickel, White

Color Match Jets.

IMPORTANT INFORMATION

- Before ordering or installing, please consider future access to equipment.
- Add bedding compound to fully level and support bottom of tub.
- Tubs equipped with an air bath or a pre-leveled foam base are designed to rest on the floor without bedding compound, provided the floor is level.
- Please measure tub on-site before building tub decking.
- Jet, pump & blower locations are predetermined and cannot be changed.
- Suction and control locations may vary.
- Specifications and configurations are subject to change without notice.
- Measurements are +1/2" and are subject to change without notice.
- Measurements herein supersede all others published prior to publication date shown below.



4272VN

42" x 72" x 23"

Installation: Drop-in
cannot be under mounted

GENERAL SPECIFICATIONS:

Material Acrylic

Plumbed Weight : 170lbs / 77kg

Soaker Weight : 140 lbs / 64 kg

Average Fill: 75 gal to above jet level

ELECTRICAL SPECIFICATIONS:

Required Electrical Service 110 Volt

Air Bath or Whirlpool 1-15 amp GFCI

Whirlpool with Inline Heater 1-20 amp GFCI

Whirlpool and Air 1-20 amp GFCI

Soaker

PACKAGES AND OPTIONS

Hydrotherapy Package	Package Contents	Part #
Soaker	Soaking bath - no jets, textured bottom	4272VNS
Whirlpool	Adjustable pointed-massage jets, 1-hp pump, textured bottom	4272VNH
Air Bath	Air jets, Air blower, Textured bottom	4272VNA
Whirlpool and Air	Adjustable pointed-massage jets, 1-hp pump, Air jets, Air blower, textured bottom	4272VND

OPTIONS

Colors Available - White Biscuit

Quick Ship - reduces lead time - call for availability

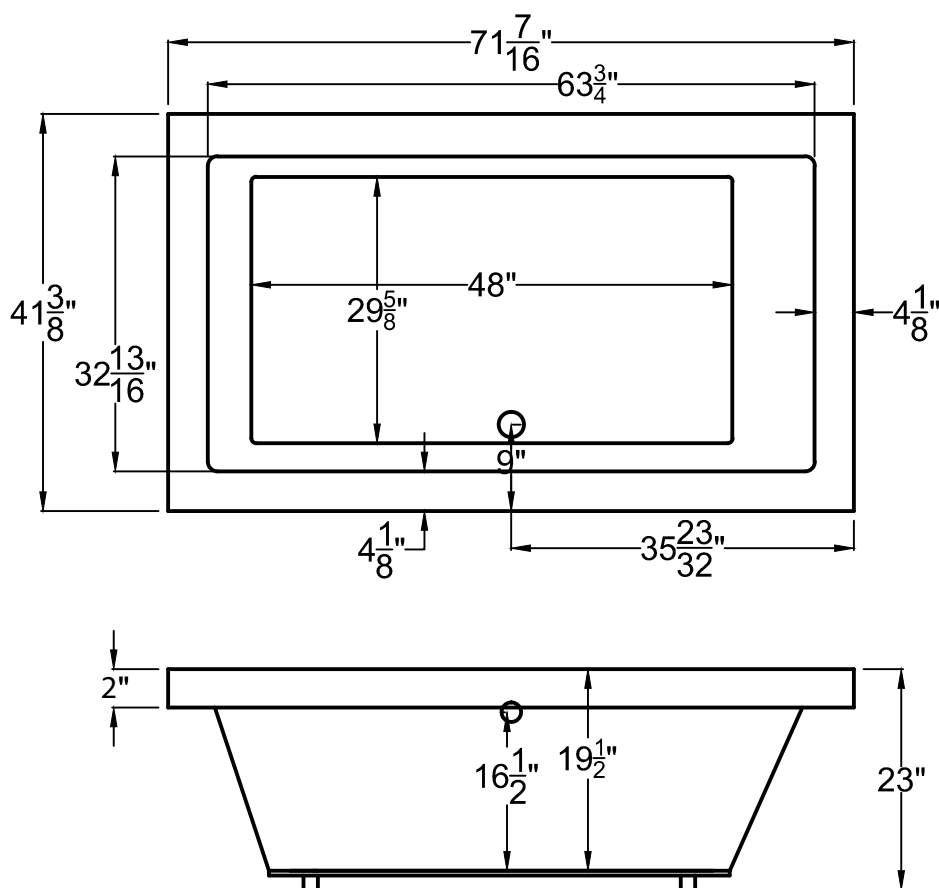
Inline Heater with Pump - Whirlpool or Whirlpool and Air

Lift & Turn Drain Kit -Chrome,Brushed Nickel, White

Color Match Jets.

IMPORTANT INFORMATION

- Before ordering or installing, please consider future access to equipment.
- Add bedding compound to fully level and support bottom of tub.
- Tubs equipped with an air bath or a pre-leveled foam base are designed to rest on the floor without bedding compound, provided the floor is level.
- Please measure tub on-site before building tub decking.
- Jet, pump & blower locations are predetermined and cannot be changed.
- Suction and control locations may vary.
- Specifications and configurations are subject to change without notice.
- Measurements are +1/2" and are subject to change without notice.
- Measurements herein supersede all others published prior to publication date shown below.



4272VNC
 $41\frac{3}{8}" \times 71\frac{7}{16}" \times 23"$

Installation: Drop-in
 cannot be under mounted

GENERAL SPECIFICATIONS:

Material Acrylic
Plumbed Weight : 170lbs / 77kg
Soaker Weight :140 lbs / 63kg
Average Fill: 45 gal to above jet level

ELECTRICAL SPECIFICATIONS:

Required Electrical Service 110 Volt
 Air Bath or Whirlpool 1-15 amp GFCI
 Whirlpool with Inline Heater 1-20 amp GFCI
 Whirlpool and Air 1-20 amp GFCI
 Soaker

PACKAGES AND OPTIONS

Hydrotherapy Package	Package Contents	Part #
Soaker	Soaking bath - no jets, textured bottom	4272VNCS
Whirlpool	Adjustable pointed-massage jets, 1-hp pump, textured bottom	4272VNCH
Air Bath	Air jets, Air blower, Textured bottom	4272VNCA
Whirlpool and Air	Adjustable pointed-massage jets, 1-hp pump, Air jets, Air blower, textured bottom	4272VNCD

OPTIONS

Colors Available - White Biscuit
 Quick Ship - reduces lead time - call for availability
 Inline Heater with Pump - Whirlpool or Whirlpool and Air
 Lift & Turn Drain Kit -Chrome,Brushed Nickel, White
 Color Match Jets.

IMPORTANT INFORMATION

- Before ordering or installing, please consider future access to equipment.
- Add bedding compound to fully level and support bottom of tub.
- Tubs equipped with an air bath or a pre-leveled foam base are designed to rest on the floor without bedding compound, provided the floor is level.
- Please measure tub on-site before building tub decking.
- Jet, pump & blower locations are predetermined and cannot be changed.
- Suction and control locations may vary.
- Specifications and configurations are subject to change without notice.
- Measurements are +1/2" and are subject to change without notice.
- Measurements herein supersede all others published prior to publication date shown below.