

## 4060N

40 1/2" x 58" x 23"

**Installation:** Drop-in  
cannot be under mounted

### GENERAL SPECIFICATIONS:

**Material:** Acrylic  
**Plumbed Weight:** 130lbs / 57 kg  
**Soaker Weight:** 100 lbs / 45 kg  
**Average Fill:** 60 gal to above jet level

### ELECTRICAL SPECIFICATIONS:

Required Electrical	Service 110 Volt
Air Bath or Whirlpool	1-15 amp GFCI
Whirlpool with Inline Heater	1-20 amp GFCI
Dual Bath	1-20 amp GFCI
Soaker	

### PACKAGES AND OPTIONS

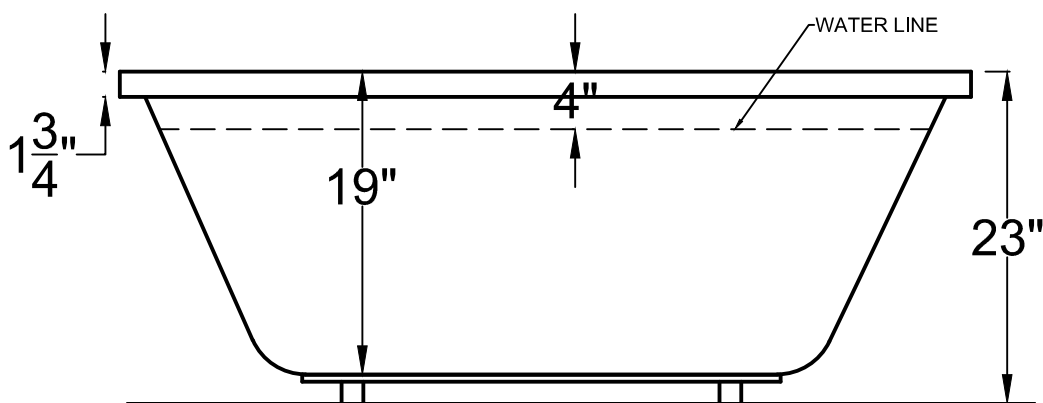
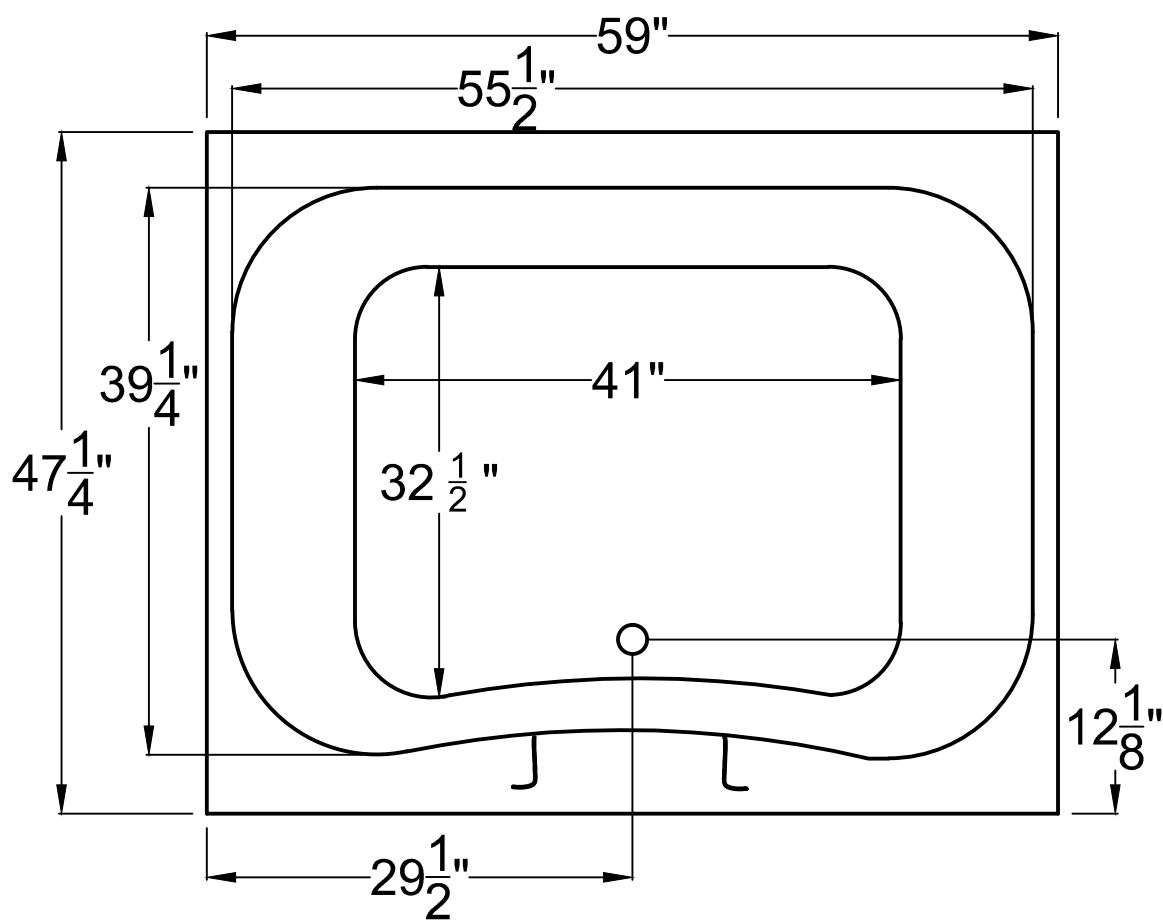
Hydrotherapy Package	Package Contents	Part #
<b>Soaker</b>	soaking bath - no jets, textured bottom	4060NS
<b>Whirlpool</b>	8point-massage jets, 1-hp pump, textured bottom	4060NH
<b>Air Bath</b>	24 air jets, air blower, textured bottom	4060NA
<b>Dual Bath</b>	8 point-massage jets, 1-hp pump, 24 air jets, air blower, textured bottom	4060ND

### OPTIONS

Colors Available - White Biscuit  
 Quick Ship - reduces lead time - call for availability  
 Inline Heater with Pump - Whirlpool or Dual Bath  
 Lift & Turn Drain Kit -Chrome,Brushed Nickel, White

### IMPORTANT INFORMATION

- Before ordering or installing, please consider future access to equipment.
- Add bedding compound to fully level and support bottom of tub.
- Tubs equipped with an air bath or a pre-leveled foam base are designed to rest on the floor without bedding compound, provided the floor is level.
- Please measure tub on-site before building tub decking.
- Jet, pump & blower locations are predetermined and cannot be changed.
- Suction and control locations may vary.
- Specifications and configurations are subject to change without notice.
- Measurements are +1/2" and are subject to change without notice.
- Measurements herein supersede all others published prior to publication date shown below.



**4860N**  
40<sup>1</sup>/<sub>2</sub>" x 59" x 23"

**Installation:** Drop-in  
cannot be under mounted

**GENERAL SPECIFICATIONS:**

**Material Acrylic**  
**Plumbed Weight :** 140lbs / 64kg  
**Soaker Weight :** 110 lbs / 50kg  
**Average Fill:** 45 gal to above jet level

**ELECTRICAL SPECIFICATIONS:**

Required Electrical	Service 110 Volt
Air Bath or Whirlpool	1-15 amp GFCI
Whirlpool with Inline Heater	1-20 amp GFCI
Dual Bath	1-20 amp GFCI
Soaker	

**PACKAGES AND OPTIONS**

Hydrotherapy Package	Package Contents	Part #
<b>Soaker</b>	soaking bath - no jets, textured bottom	4860NS
<b>Whirlpool</b>	8point-massage jets, 1-hp pump, textured bottom	4860NH
<b>Air Bath</b>	26 air jets, air blower, textured bottom	4860NA
<b>Dual Bath</b>	8 point-massage jets, 1-hp pump, 26 air jets, air blower, textured bottom	4860ND

**OPTIONS**

Colors Available - White Biscuit  
Quick Ship - reduces lead time - call for availability  
Inline Heater with Pump - Whirlpool or Dual Bath  
Lift & Turn Drain Kit -Chrome,Brushed Nickel, White

**IMPORTANT INFORMATION**

- Before ordering or installing, please consider future access to equipment.
- Add bedding compound to fully level and support bottom of tub.
- Tubs equipped with an air bath or a pre-leveled foam base are designed to rest on the floor without bedding compound, provided the floor is level.
- Please measure tub on-site before building tub decking.
- Jet, pump & blower locations are predetermined and cannot be changed.
- Suction and control locations may vary.
- Specifications and configurations are subject to change without notice.
- Measurements are +1/2" and are subject to change without notice.
- Measurements herein supersede all others published prior to publication date shown below.