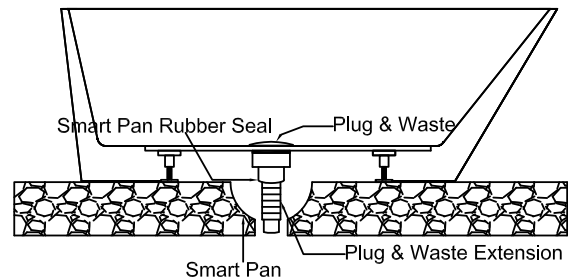


One Piece Freestanding Bathtub (Non-Jetted) Freestanding Bathtub

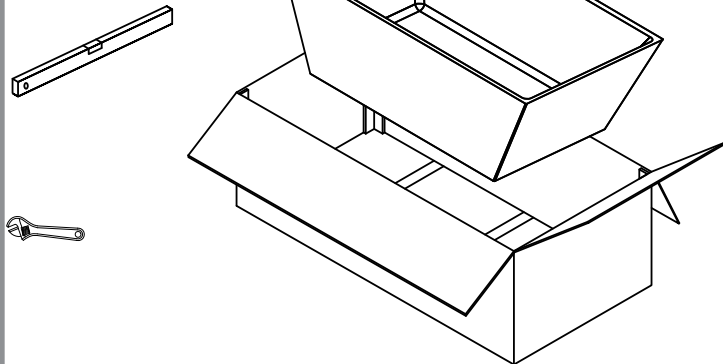
Inspect the box for any damages and then proceed to inspect the bathtub. If any damage is found please contact us right away

1. Remove the tub from it's crate/box.
2. Make sure to avoid contact with any rough surface. Ideally, there should be a tarp or cardboard sheet between the tub and the floor's surface.
3. **Very Important!** Before proceeding with installation, close the waste drain and fill tub with water to test for leakage. If leakage occurs this may be a sign that the leveling feet are not completely leveled.

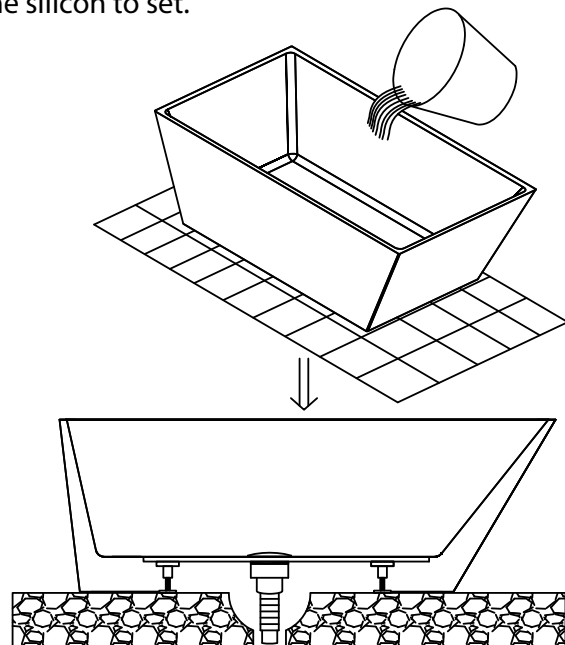
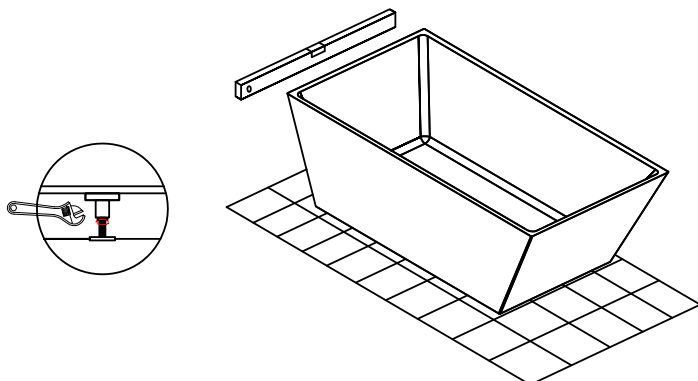
5. Align and connect the tub's drain to the waste drain outlet.
6. Remove the masking plastic over the overflow and waste drain covers.



7. Perform a final test.
8. Apply a thick bead of silicone around the area where the tub meets the floor. Allow 24 hours for the silicon to set.



4. Adjust leveling feet if needed to ensure the tub is completely leveled. If the tub is not properly level leakage may occur and/or the water will not completely drain.



Note: It is highly recommended to have a licensed contractor perform the installation.