

3271G

31 $\frac{3}{8}$ " x 63" x 23 $\frac{5}{8}$ "

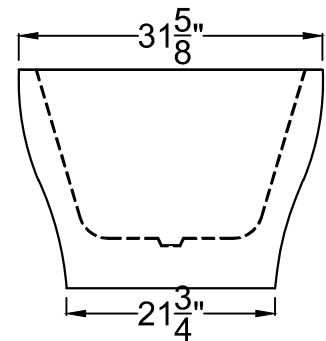
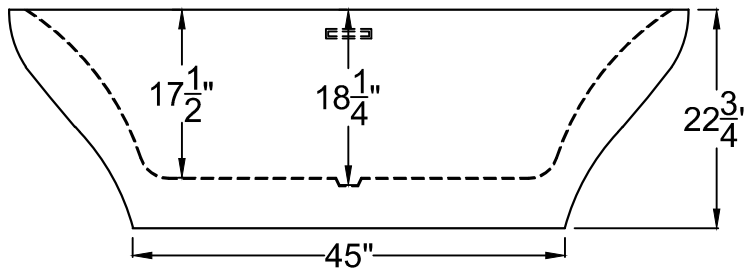
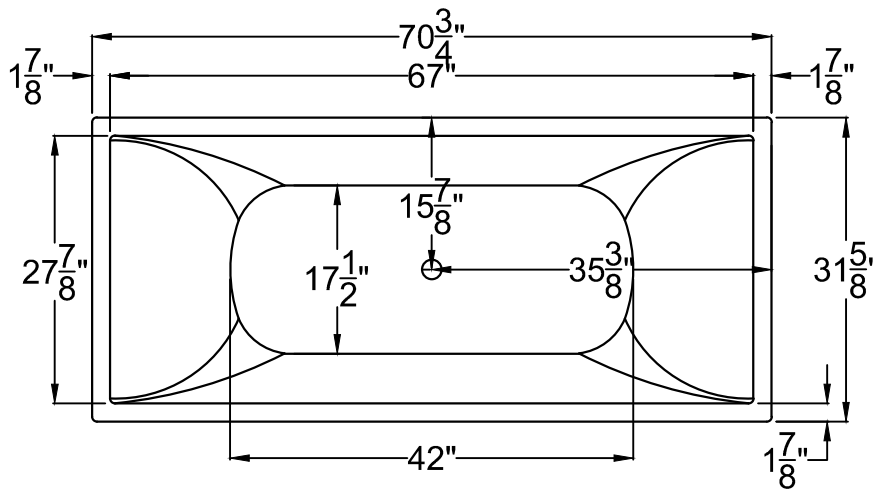
INSTALLATION: It is important that all leveling feet are completely touching the floor and level to insure proper draining.

GENERAL SPECIFICATIONS:

Material Acrylic

Soaker Weight : 131 lbs / 60kg

Average Fill: 50Gallons



PACKAGES AND OPTIONS

Hydrotherapy Package	Package Contents	Part #
Soaker	Soaking bath - no jets	3267VS

- OPTIONS
- Colors Available - White
- Quick Ship - reduces lead time - call for availability
- Built in Drain Kit -Chrome

IMPORTANT INFORMATION

- Before ordering or installing, please consider future access to equipment.
- Please measure tub on-site before installation
- Jet, pump & blower locations are predetermined and cannot be changed.
- Make certain the floor structure is level and adequate to support installation.
- Building codes require that a panel(s) be constructed to allow ample clearance for plumbing repairs and pump service or removal

- Please note that installer(s) must be certify or warranty will be voided.
- Specifications and configurations are subject to change without notice.
- Measurements are +1/2" and are subject to change without notice.
- Measurements herein supersede all others published prior to publication date shown below.