

**4872C**

47<sup>5</sup>/<sub>8</sub>" x 71<sup>1</sup>/<sub>2</sub>" x 23"

Installation: Drop-in  
cannot be under mounted

**GENERAL SPECIFICATIONS:**

**Material Acrylic**

**Plumbed Weight :** 140lbs / 64kg

**Soaker Weight :** 110lbs / 50kg

**Average Fill:** 70 gal to above jet level

**ELECTRICAL SPECIFICATIONS:**

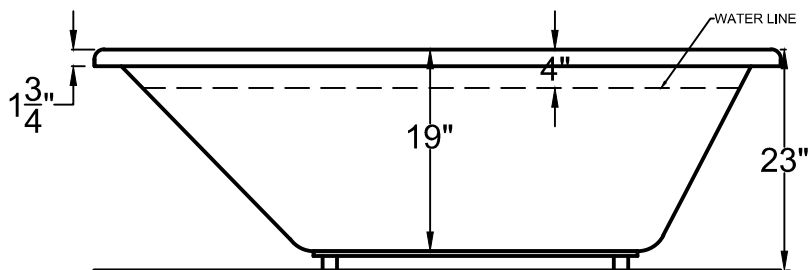
Required Electrical Service 110 Volt

Air Bath or Whirlpool 1-15 amp GFCI

Whirlpool with Inline Heater 1-20 amp GFCI

Whirlpool and Air 1-20 amp GFCI

Soaker



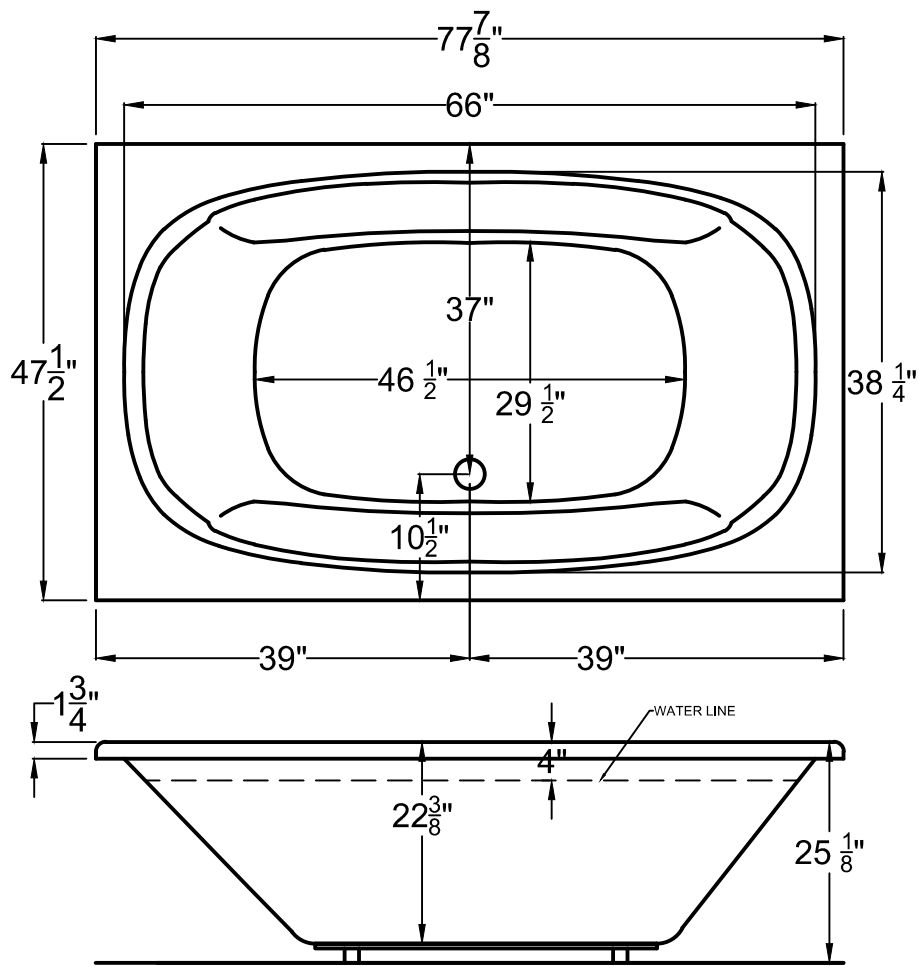
**PACKAGES AND OPTIONS**

Hydrotherapy Package	Package Contents	Part #
Soaker	Soaking bath - no jets, textured bottom	4872CS
Whirlpool	Adjustable pointed-massage jets, 1-hp pump, textured bottom	4872CH
Air Bath	Air jets, Air blower, Textured bottom	4872CA
Whirlpool and Air	Adjustable pointed-massage jets, 1-hp pump, Air jets, Air blower, textured bottom	4872CD

- OPTIONS
- Colors Available - White Biscuit
- Quick Ship - reduces lead time - call for availability
- Inline Heater with Pump - Whirlpool or Whirlpool and Air
- Lift & Turn Drain Kit -Chrome,Brushed Nickel, White
- Color Match Jets.

**IMPORTANT INFORMATION**

- Before ordering or installing, please consider future access to equipment.
- Add bedding compound to fully level and support bottom of tub.
- Tubs equipped with an air bath or a pre-leveled foam base are designed to rest on the floor without bedding compound, provided the floor is level.
- Please measure tub on-site before building tub decking.
- Jet, pump & blower locations are predetermined and cannot be changed.
- Suction and control locations may vary.
- Specifications and configurations are subject to change without notice.
- Measurements are +1/2" and are subject to change without notice.
- Measurements herein supersede all others published prior to publication date shown below.



**4878C**

47 1/2" x 77 7/8" x 25"

Installation: Drop-in  
cannot be under mounted

**GENERAL SPECIFICATIONS:**

**Material Acrylic**

**Plumbed Weight :** 145lbs / 66kg

**Soaker Weight :** 115lbs / 52kg

**Average Fill:** 70 gal to above jet level

**ELECTRICAL SPECIFICATIONS:**

Required Electrical Service 110 Volt

Air Bath or Whirlpool 1-15 amp GFCI

Whirlpool with Inline Heater 1-20 amp GFCI

Whirlpool and Air 1-20 amp GFCI

Soaker

**PACKAGES AND OPTIONS**

Hydrotherapy Package	Package Contents	Part #
Soaker	Soaking bath - no jets, textured bottom	4878CS
Whirlpool	Adjustable pointed-massage jets, 1-hp pump, textured bottom	4878CH
Air Bath	Air jets, Air blower, Textured bottom	4878CA
Whirlpool and Air	Adjustable pointed-massage jets, 1-hp pump, Air jets, Air blower, textured bottom	4878CD

- OPTIONS
- Colors Available - White Biscuit
- Quick Ship - reduces lead time - call for availability
- Inline Heater with Pump - Whirlpool or Whirlpool and Air
- Lift & Turn Drain Kit -Chrome,Brushed Nickel, White
- Color Match Jets.

**IMPORTANT INFORMATION**

- Before ordering or installing, please consider future access to equipment.
- Add bedding compound to fully level and support bottom of tub.
- Tubs equipped with an air bath or a pre-leveled foam base are designed to rest on the floor without bedding compound, provided the floor is level.
- Please measure tub on-site before building tub decking.
- Jet, pump & blower locations are predetermined and cannot be changed.
- Suction and control locations may vary.
- Specifications and configurations are subject to change without notice.
- Measurements are +1/2" and are subject to change without notice.
- Measurements herein supersede all others published prior to publication date shown below.