

## 6731AT

31<sup>3</sup>/<sub>8</sub>"x67"x23<sup>7</sup>/<sub>8</sub>"

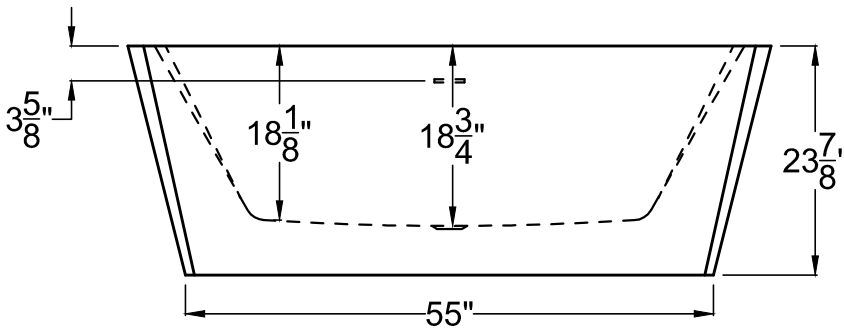
**INSTALLATION:** It is important that all leveling feet are completely touching the floor and level to insure proper draining.

### GENERAL SPECIFICATIONS:

**Material Acrylic**

**Soaker Weight :** 101lbs/46kg

**Average Fill:** 83Gallons



### PACKAGES AND OPTIONS

Hydrotherapy Package	Package Contents	Part #
Soaker	Soaking bath - no jets	6731ATS

- OPTIONS
- Colors Available - White
- Quick Ship - reduces lead time - call for availability
- Built in Drain Kit -Chrome

### IMPORTANT INFORMATION

- Before ordering or installing, please consider future access to equipment.
- Please measure tub on-site before installation
- Make certain the floor structure is level and adequate to support installation.
- Please note that installer(s) must be certify or warranty will be voided.
- Specifications and configurations are subject to change without notice.
- Measurements are +1/2" and are subject to change without notice.
- Measurements herein supersede all others published prior to publication date shown below.