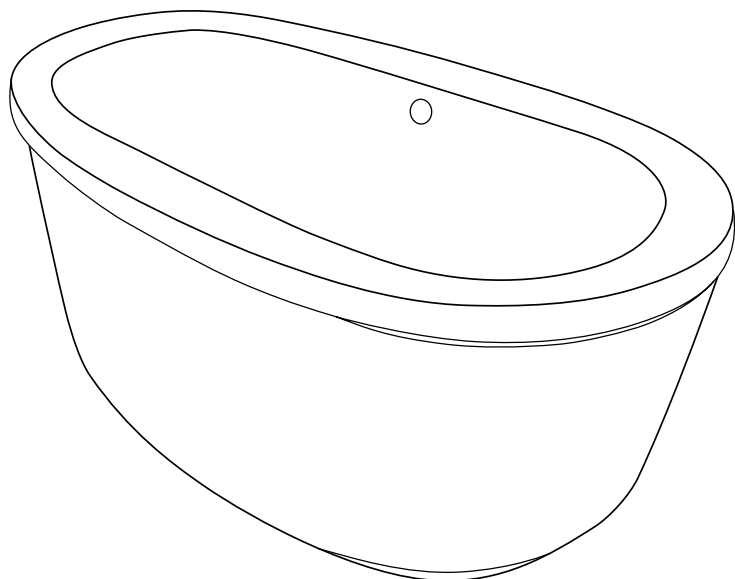


**INSTALLATION & OPERATIONAL  
INSTRUCTIONS**



Manufactured by  
**ATLANTIS WHIRLPOOLS**  
A Division of Spa World Corp.  
5701 NW 35th Avenue  
Miami, Florida 33142

ASME A112.19.7-2006  
ANSI-Z124.1





# INSTALLATION INSTRUCTIONS & OWNER'S MANUAL

(Refer to individual model sheets for specifications)

## BEFORE BEGINNING INSTALLATION, CHECK THE FOLLOWING ITEMS AND READ THE INSTRUCTIONS CAREFULLY.



**CHECK ENTIRE UNIT FOR CONCEALED DAMAGE.** If there is any damage, **DO NOT INSTALL!** Shipping damages must be reported to the carrier immediately. All damage **must** be discovered and reported prior to installation in order to have it covered under the warranty!



**COMPARE COLOR OF UNIT WITH OTHER FIXTURES.** If color is not sufficiently compatible with fixtures, **DO NOT INSTALL!**

## PLANNING THE INSTALLATION

1. Make certain the floor structure is level and adequate to support installation. See floor loading in tub specifications.
2. Building codes require that a panel(s) be constructed to allow ample clearance for plumbing repairs and pump service or removal. (Please refer to your local codes for regulations.)
3. Using the tub itself, or installation drawings, measure and mark locations for waste pipe, water supply, wiring runs, and service access.

## IMPORTANT SAFETY INSTRUCTIONS

**Read and follow all instructions and save these instructions.**

### **WARNING!**

Examine all plumbing for damage and water test before final installation. If damage has occurred, call our Technical Service Department at **866-588-8008**.

### **WARNING!**

Alterations or modifications of the plumbing system without expressed written authorization will invalidate all warranty claims.

### **WARNING!**

Installation must comply with current local and state building, plumbing, and electrical codes.

### **WARNING!**

It is the responsibility of the installer or owner to determine code requirements prior to installation.

### **WARNING!**

Connections should be made by licensed plumbers and electrician.

## IMPORTANT INSTRUCTIONS:

- \* Do Not lift by plumbing at any time! Lift by the tub deck.
- \* Tub must be supported by the subfloor and bedding, not by the tub lip.
- \* Run pump and test all functions and plumbing prior to finishing installation.
- \* Run pump only when water in tub is two inches over jets.

The plumbing system on all ATLANTIS meets ETL, and ANSI standards at time of manufacture. Any modifications to the plumbing system, including the pump, will void the warranty and approvals.

IMPORTANT SAFETY INSTRUCTIONS  
PERTAINING TO RISK OF FIRE, ELECTRIC SHOCK, AND INJURY.

**SAVE THESE INSTRUCTIONS!**

# READ AND FOLLOW ALL INSTRUCTIONS

1. DANGER: To reduce the risk of injury, do not permit children to use this unit unless they are closely supervised at all times.
2. Use this unit only for its intended use as described in this manual. Do not use attachments not recommended by the manufacturer.
3. Never drop or insert any object into any opening.
4. Do not operate this unit without the guard over the suction fitting.
5. The unit must be connected only to a supply circuit that is protected by a Ground-Fault Circuit Interrupter (GFCI). Such a GFCI should be provided by the installer and should be tested on a routine basis. To test the GFCI push the test button. The GFCI should interrupt power. Push the reset button. The power should be restored. If the GFCI fails to operate in this manner, there is a ground current flowing indicating the possibility of an electrical shock. Do not use this unit. Disconnect the unit and have the problem corrected by a qualified service representative before using.
6. A green colored terminal (or a wire connector marked `G`, `GR`, `GROUND`, or `GROUNDING`) is provided within the terminal compartment. To reduce the risk of electrical shock, connect this terminal or connector to the grounding terminal of your electrical service or supply panel with a continuous green insulated copper wire equivalent in size to the circuit conductors supplying the equipment, but no smaller than No.10 AWE (5.6mm)
7. A pressure wire connector on your bath is provided on the exterior of the terminal box within this unit to permit connection of a No. 8 AWE (8.4mm) solid copper bonding conductor between this unit and all electric equipment and exposed metal in the vicinity, as needed to comply with local requirements.

## 8. SAVE THESE INSTRUCTIONS.

## ATTENTION



**Check tub for concealed damage.**



**Check color compatibility with other fixtures.**



**Check to insure that the bath has the proper components.**

**ATLANTIS will not be held responsible for tub damage or color compatibility problems after whirlpool is installed.**

**ATLANTIS will not be held responsible for cost of installation or repair if an incorrect tub is installed.**

**Read instructions before starting installation.**

# INSTALLATION

## PREPARATION

1. Clean, level and prepare the floor for installation.
2. Place the unit in the exact installed position on the floor and trace the outline of the bath with a pencil or any erasable marking (figure 1).

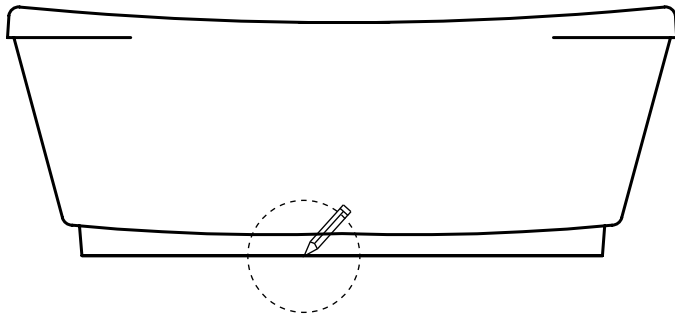


Figure 1

3. Determine the location of the drain pipe, on the floor by taking measurements of the drain and waste location underneath the unit (figure 2).

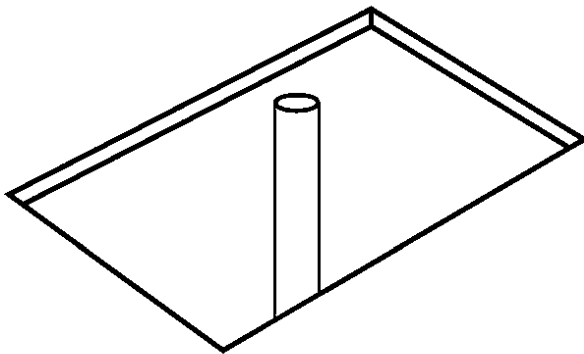


Figure 2

4. Using a blanket, cardboard, or other clean protective surface, turn the unit on its side so that the unit is properly supported during drain installation.
5. Clean the drain hole area in preparation of setting the drain. The area should be dry and free of any debris.

## INSTALL DRAIN HARDWARE

6. Apply a bead of clear silicone or plumbers putty around the Drain Body and pass it through the drain hole (figure 3).
7. Apply plumbers putty to the Washer and slide it over the bottom of the Drain Body (figure 3).

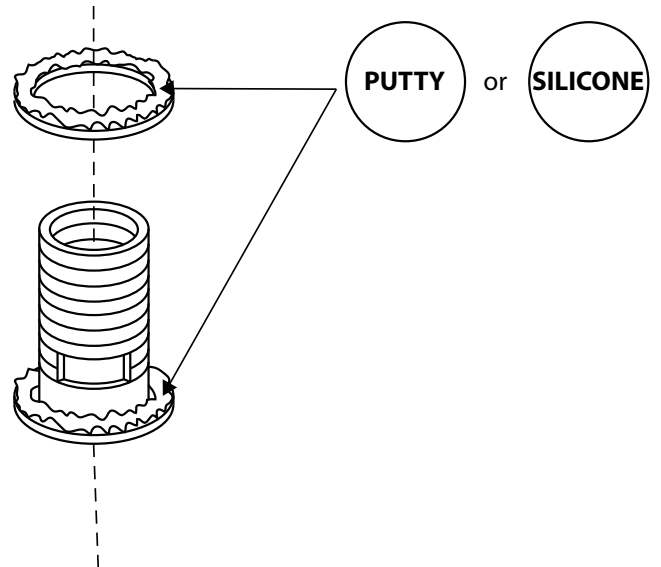


Figure 3

8. Slide the paper washer over the drain body.
9. Attach the Drain Body Nut on the Drain Body and tighten until the Nut and Washer have created a seal with the bottom of the bathtub. DO NOT OVERTIGHTEN (figure 4).

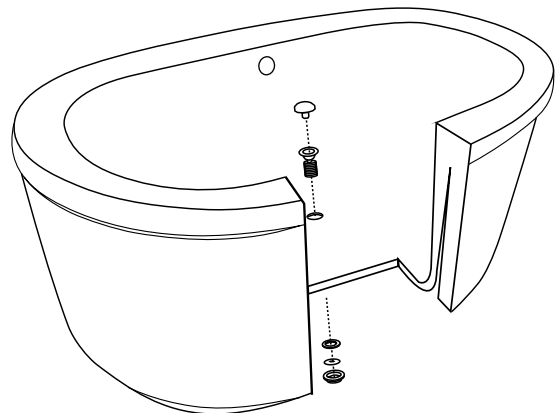


Figure 4

# INSTALLATION CONTINUED

## PREPARE TAIL PIECE

All parts involved in tail piece installation are provide by the installer (figure 5).

10. Drain waste vent must always be installed according to local standard. Verify the placement of the bathtub before drilling the hole for the drain waste vent.
11. Install 1 1/2 inch rubber slip gasket over the drain waste vent.
12. Cut tail piece to desired length (will vary for each installation).
13. Slide tail piece nut over tail piece towards flanged end.
14. Connect tail piece assembly to waste vent.
15. Place flange washer on top of tail piece.

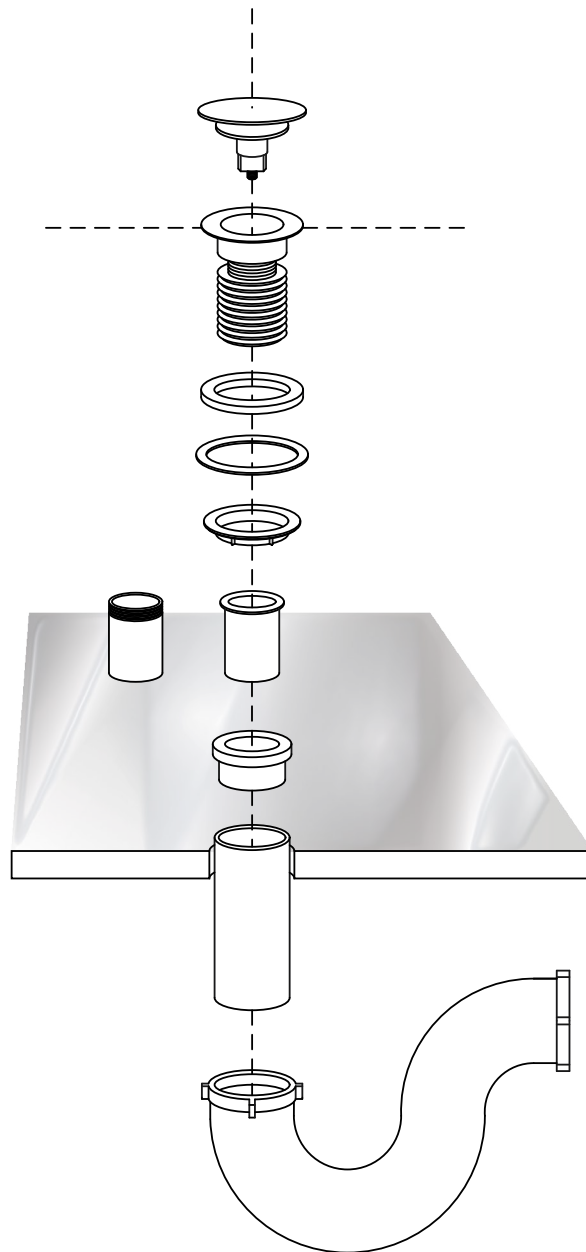


Figure 5

# INSTALLATION CONTINUED

## INSTALL BATHTUB

16. Apply a generous bead of adhesive or silicone to the bottom of the tub supports (figure 6).
17. Then apply a bead of tub and tile caulk around the edge of the base (figure 6)

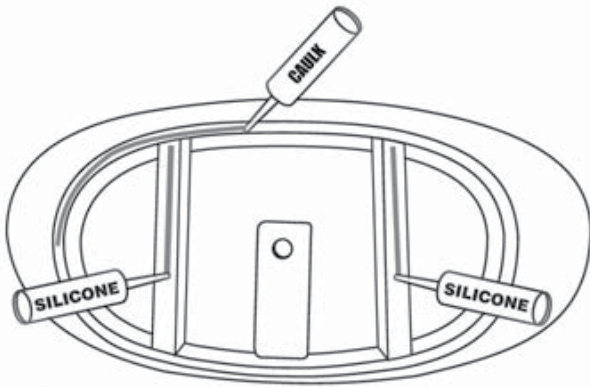


Figure 6

18. Carefully set tub into position (figure 7) and connect the drain hardware (previously installed). Finish the installation of the tail-piece installation.

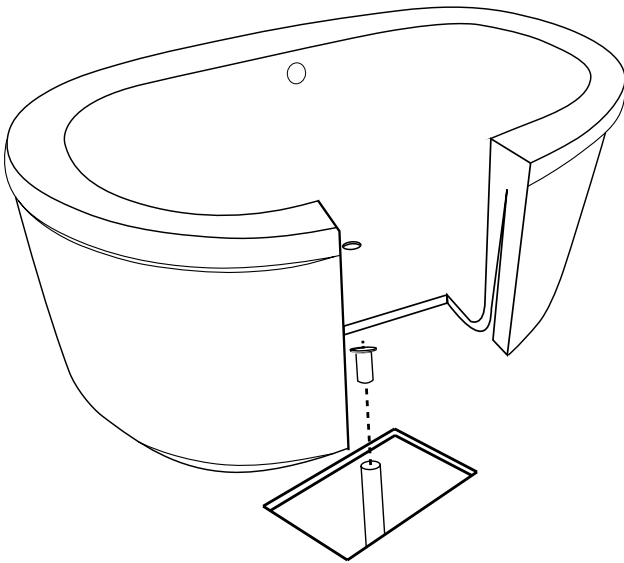


Figure 7

## COMPLETE BATHTUB INSTALLATION

19. Fill the tub with water to the overflow and then drain the tub while inspecting the waste connections below the floor for leaks. Access from below will be necessary for this step (figure 8).

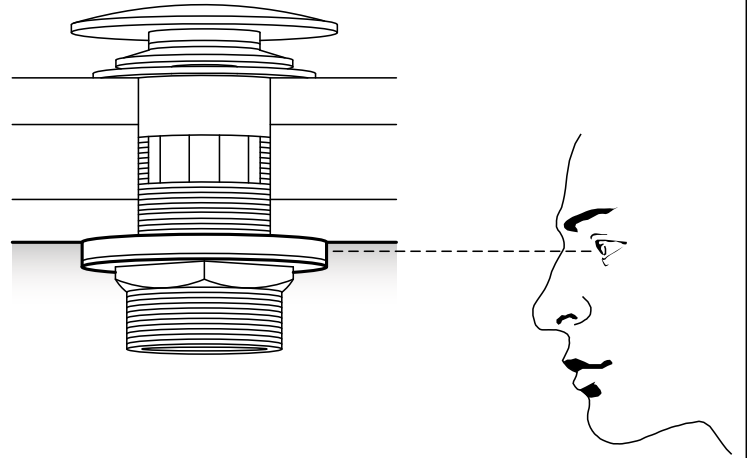


Figure 8

20. With the bathtub now in place, wipe off any excess tub and tile caulk and adhesive where the tub meets the floor.
21. Run a bead of tub and tile caulk around the bottom edge of the bathtub where it meets the floor. Wipe off any excess caulk with a wet cloth (figure 9). If the tub must be uninstalled for maintenance or repair completely remove the caulking. Afterwards thoroughly clean the bottom of the shell and reapply caulking.

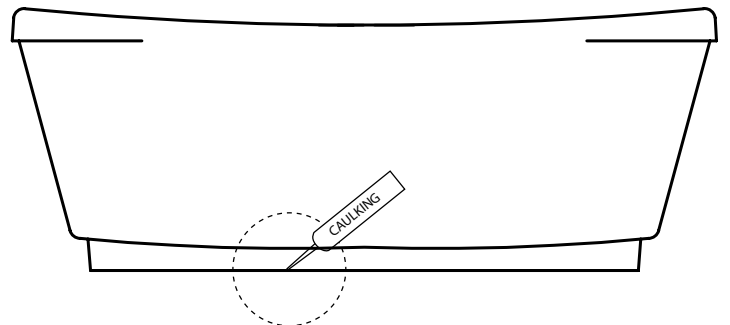


Figure 9

# INSTALLATION CONTINUED

## PLUMBING ROUGH-IN

The bath waste opening protrudes below the base approximately one inch. You may be required to cut a hole in the subfloor to accommodate bath waste. In slab on grade or prestressed concrete floors where cutting is not desired, the tub may be raised up by building the platform higher and using extra mortar under the tub. If a joist must be notched, verify that structure will not be weakened. Remove only what is necessary. Provide supply pipe, rough-in waste and vent per code.

## PLUMBING

PVC Schedule 40 piping, self draining pump and fittings come completely preplumbed unless requested otherwise. The pump and whirlpool system are completely contained within the tub perimeter. On some models, the pump may exceed beyond the perimeter of the tub. If you have such a model, please make allowances during installation.

## ELECTRICAL

Factory wired for 110 Volt 20 Amps. Ground Fault Circuit Interrupter (GFCI) is required. The GFCI breaker must not supply any other circuits or devices.

## FINISHING

Before finishing with your choice of material, make sure access entries are available to the pump, bath waste, and plumbing fixtures. Finish as desired and seal around tub, preferably with silicone.

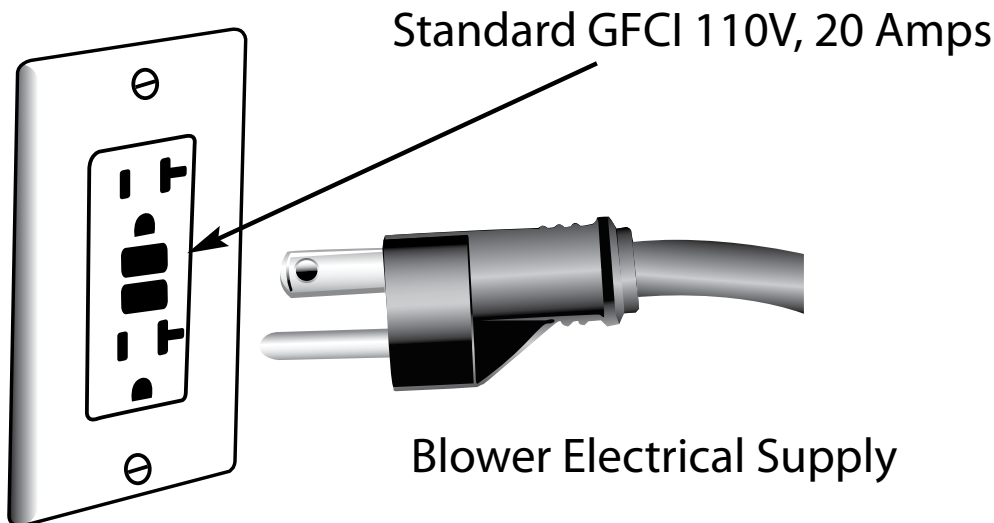
## NOTE:

1. For Caulking, we recommend 100% sanitary silicone rather than latex.
2. For quieter operation, you may choose to insulate the construction area.
3. IT IS THE INSTALLERS RESPONSIBILITY TO SUPPLY ACCESS TO PUMP AND EQUIPMENT

**REMINDER:** During construction, we suggest that you cover tub to avoid use as trash receptacle.

**NOTE:** To service the pump, blower and other electrical components the caulking must be removed. Afterwards the skirt should be cleaned and caulking reapplied.

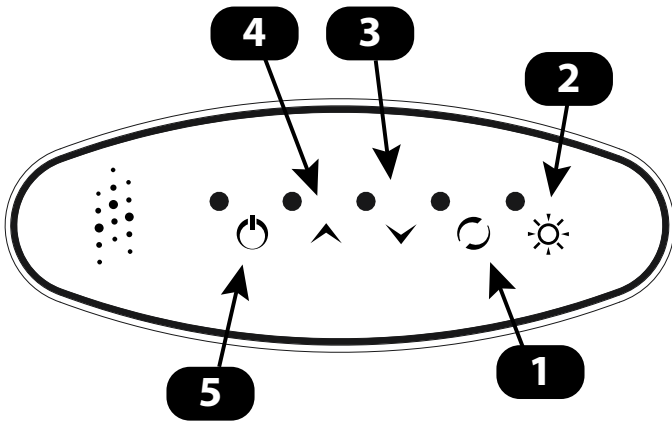
## INCOMING POWER





# INSTALLATION CONTINUED

## ATLANTIS TOUCH PLUS START UP AND OPERATIONAL INSTRUCTIONS



**1. Pump On/Off:**

1st Press - The pump starts.  
2nd Press - The pump stops.

**2. Light Button:**

Operates LED lighting systems.

**3. Use Button to decrease air jet speed**

**while the blower is running.** Press & hold to increase the blower speed, release pressure at the desired speed.

**4. Use Button to increase air jet speed**

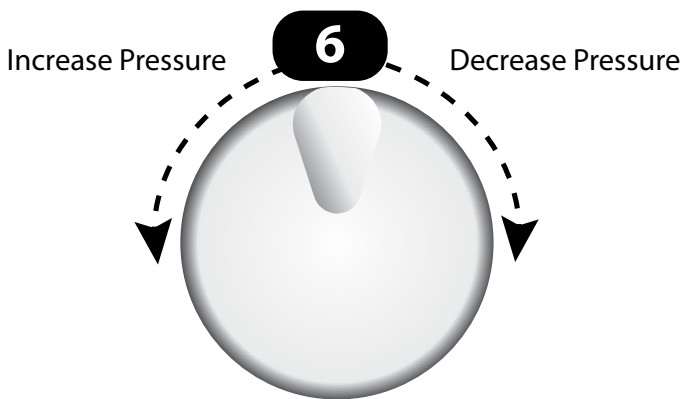
**while the blower is running.** Press & hold to lower the blower speed, release pressure at the desired speed.

**5. Blower On/Off:**

1st Press-the blower starts.  
2nd Press-the blower stops.

**Purge Cycle:**

There are two different purges: The first at 30 minutes after the tub is used and the second every 24 hours at the time determined by when power is turned on at the breaker box.

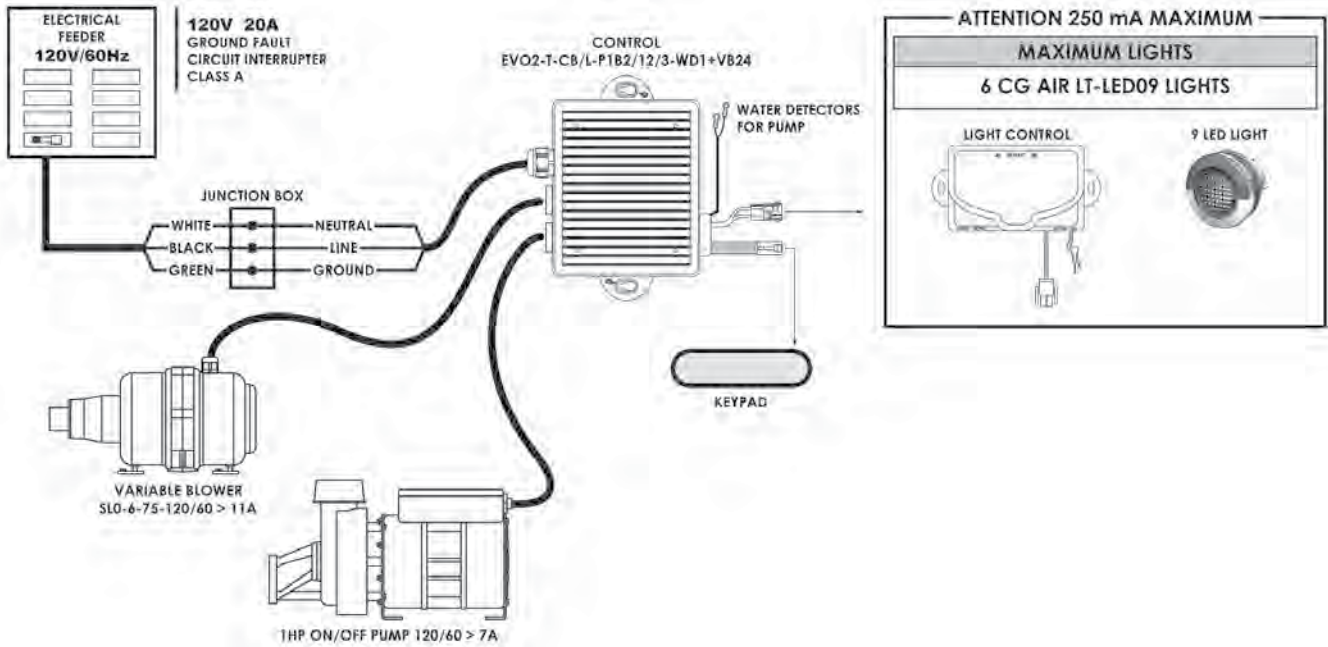


**6. Air Pressure Control**

Turn control knob to increase or decrease the speed and pressure for the water jets. The water jets pressure control is divided between 2 air pressure controls on either side of the tub.

# INSTALLATION CONTINUED

## 120V/60Hz Variable Blower & On/Off Pump & Light Schematic



For any maintenance or repair the Lulu shell can be removed by flipping the tub over, locating and removing the 4 plastic nubs and loosening the securing screws underneath. Then the entire shell can easily be removed.

If the tub is fully installed but must be uninstalled for maintenance or repair the caulking must be removed completely, the tub must be cleaned and new caulking is to be applied for reinstallation.

# USER MAINTENANCE

**USER SHOULD** periodically flush operating system (not to exceed 90 days). As a minimum, shall consist of filling and running system and draining. ATLANTIS Whirlpools recommends flushing with a mild solution of water and sanitizer such as chlorine or other commercially available whirlpool bath flushing products.

**DO NOT** use abrasives. They may dull or scratch surface of the acrylic.

**DO NOT** use oil based solvents. Clean with only a damp cloth or mild detergent or any common glass cleaner.

**DO NOT** use bubble bath while the whirlpool is operating.

**DO NOT** turn on pump without water in the bathtub. To do so may cause damage to the pump.

**DO NOT** alter the position of the pump. To do so may void your warranty.

**NOTE:** Caustic drain openers will damage the surface and the pump! Extreme heat from portable heaters and cigarettes can damage the surface of the tub. **DO NOT USE OIL BASED BATH ADDITIVES.**

## FOR MINOR SCRATCHES

The procedure to remove light surface scratches or burnish marks is quite easy. Simply apply rubbing compound to the affected area and buff lightly. Then apply paste wax and gently buff again to return the original shine.

## REPAIR TO THE SURFACE

Should a deep scratch or more serious damage be encountered, please call Technical Service at ATLANTIS Whirlpools for assistance. When calling, please have the serial number, date of purchase, and color of your tub.

## CLEANING RECOMMENDATIONS

### To clean the pipes and pump:

Fill the tub and pour a cup of bleach (or dishwasher soap [i.e. Cascade] if bleach is not available), run pump for five (5) minutes and let it sit for ten (10) minutes. Run the pump for five (5) minutes, then rinse two (2) times. Wipe off the surface after the rinse because the bleach may discolor some color trimmings.

### After using bleach or dishwasher soap, you should follow this cleaning procedure:

Fill the tub with water and run the pump for 5 minutes, then rinse it 2 times. Clean with a soft damp cloth, do not use abrasive cleaners as they may scratch and dull surface of the unit.

# PRECAUTIONS

**HEAT STROKE** - The most susceptible people are very young, the elderly, alcoholics, and most people under the influence of drugs.

**SYMPTOMS** - Hypothermia causes loss of salt, sweating, ordinary dizziness, headache, dryness of the mouth, nausea, faintness and/or unconsciousness, convulsions, flushed appearance of the skin and rapid pulse, and/or weak or shallow breathing.

**TREATMENT** - Place on back, head slightly elevated, apply wet cloths or ice to the head, wrap body in sheet while pouring on small amounts of water, cool shower or bath, and get medical attention as soon as possible.

# TROUBLESHOOTING

## PROBLEM

## SOLUTION

Pump not starting

Check wiring; Check the on/off switch; Check water level; Reset GFI at outlet.

Pump humming but not priming

Air trapped in line; Check for clogged jets. Add water, may have to open top union.

Pump not moving water

Possible obstruction in impeller. Possible frozen clutch (requires replacement).

No jet pressure

Clogged jet; air control not open; jet not open; missing part in jet.

Leak in plumbing

Call Tech Service: 866-588-8008

**LIMITED WARRANTY COVERAGE**  
**READ CAREFULLY, THE WARRANTY APPLIES ONLY TO ORIGINAL OWNER**

**10 YEARS STRUCTURAL**

**BATH SHELL:** ATLANTIS Whirlpools warrants its bath shells against loss of water through the fiberglass laminate of the tub body as a result of a defect in materials and workmanship, for a period of ten (10) years from the purchase date.

**10 YEARS SURFACE**

The acrylic surface is warranted against blistering, cracking and chipping resulting from a defect in the acrylic surface material for a period of ten (10) years from the purchase date. **SCRATCHES ARE NOT COVERED UNDER WARRANTY.**

**1 YEAR PUMP • 1 YEAR BLOWER • 1 YEAR PARTS  
PLUMBING AND EQUIPMENT**

ATLANTIS Whirlpools warrants factory installed plumbing parts and fittings, and electrical components to be free from defect in materials and workmanship for a period of one (1) years from the purchase date, a period of one (1) years from the purchase date for the pump, and a period of one (1) years from the purchase date for the blower.

**EXTENT OF WARRANTY/RESPONSIBILITY OF PURCHASER**

This warranty applies only to original purchaser of the ATLANTIS Whirlpools. Warranty Card must be signed and sent to ATLANTIS Whirlpools within ten (10) days of purchase to activate warranty. Original purchaser must establish, by dated sales slip, invoice or delivery receipt, the date of purchase. The warranty applies to ATLANTIS Whirlpools manufactured after October 1, 2010.

**WARRANTY PERFORMANCE**

In the event of any defect in workmanship or materials covered under the terms of the "Bath Shell" warranty, ATLANTIS Whirlpools will repair the defect and will be responsible for the labor cost incurred by its agent in doing so. Travel, trip or mileage costs incurred by the authorized agents are not covered under this warranty. ATLANTIS Whirlpools, at its sole discretion, may elect to replace the defective bath. All costs involved in replacing the unit are not covered under this warranty.

In the event of any malfunction or defect covered under the terms of the "Plumbing and Equipment" warranty, ATLANTIS Whirlpools will repair or replace the defective item for a period of one (1) years from the purchase date for parts, a period of one (1) years from the purchase date for the pump, a period of one (1) years from the purchase date for the blower. **Labor cost to repair an ATLANTIS Whirlpools is covered for a period of ninety (90) days and must be performed by an authorized agent of ATLANTIS Whirlpools.** The purchaser is responsible to provide adequate access to the equipment and plumbing. **Any labor costs attributed to removing decking or any other obstacle to gain easy access to the equipment or plumbing are not covered. Travel, trip or mileage costs incurred by the authorized agent for in-home service are not covered under this warranty.**

Written notice of any malfunction or defect must be given within ten (10) days of the time it is discovered, to ATLANTIS Whirlpools, 5701 NW 35th Avenue, Miami, Florida 33142. ATLANTIS Whirlpools reserves the right to inspect the malfunction or defect on location.

**RESPONSIBILITIES OF OTHERS**

Inspecting the unit prior to installation is the responsibility of the installer or building contractor who acts on behalf of the user. They are responsible for ensuring the unit is free of defect or damage. Notices are placed on and in the unit and on the shipping carton advising the installer of this responsibility. In the event of a problem, the unit must not be installed. ATLANTIS Whirlpools is not responsible for failures or damage that could have been discovered, repaired, or avoided by proper inspection and testing prior to installation.

**Damage occurring in transit is the responsibility of the carrier. The user or installer MUST open the crate and inspect the unit for damage when it is delivered. If damage is discovered, it must be reported immediately to the seller and the carrier in writing, and an inspection requested. Failure of the carrier to respond should be reported to the seller and the carrier. Your freight claims should be filed promptly thereafter.**

**LIMITATIONS AND EXCLUSIONS**

This warranty does not cover any claim arising from abuse, misuse, negligence, accident, improper installation or operations on the part of the purchaser. This warranty is void if the ATLANTIS Whirlpools is subject to alteration, or if repairs are attempted by anyone other than an authorized agent of ATLANTIS Whirlpools. This warranty does not extend to plumbing or components installed by dealers, installers or by any party other than ATLANTIS Whirlpools.

ATLANTIS Whirlpools will not be liable for loss of use of the ATLANTIS Whirlpools, inconvenience, or any other incidental or consequential costs, expense or damages. Please note that some states do not allow the exclusion or limitation of incidental damages.

**DISCLAIMER**

Except as expressly provided, there shall be no warranty or obligation, express or implied, oral or statutory. No dealer or other person has the authority to make any warranties or representations concerning ATLANTIS Whirlpools or its products. In no event shall ATLANTIS Whirlpools be held responsible for any such warranties or representations.

**OTHER RIGHTS**

This warranty gives you specific legal rights, and you may have other rights which may vary from state to state.

**TECHNICAL SERVICE**

Contact the retail seller or the local authorized warranty service center. If you do not know who your local representatives are, contact

**ATLANTIS WHIRLPOOLS • A Division of SpaWorld Corp.**  
**5701 NW 35th Avenue, Miami, Florida 33142**

ATLANTIS Whirlpools Service Department at the address listed  
**10** below, or call **866.588.8008**.





**IMPORTANT: READ AND SAVE THESE INSTRUCTIONS.**

**INSTALLER: SAVE INSTALLATION INSTRUCTIONS WITH HOMEOWNER**

**HOMEOWNER: KEEP INSTALLATION INSTRUCTIONS FOR FUTURE REFERENCE**

**Please leave owner's manual with warranty.  
If you have any problems or questions during installation,  
please call technical service at  
**866-588-8008****

**Record the numbers here for handy reference:**

Model No. \_\_\_\_\_

Serial No. \_\_\_\_\_

Date of Purchase \_\_\_\_\_



Manufactured by  
**ATLANTIS WHIRLPOOLS**  
A Division of Spa World Corp.  
5701 NW 35th Avenue  
Miami, Florida 33142  
Ph: 866.588.8008 • Fax: 866.560.1060

