

**LANCELOT
67" ACRYLIC
SLIPPER TUB**

Cat. No.
ATSN67B



L: 67"
W: 29 3/4"
H: 26 3/4" - 33"

Water depth: 16" to top of tub

The following is recommended for ATSN67B tubs:

- Faucets: part #4602, 7393 or 7410
- Rigid, freestanding supplies: part #4502
- Leg tub drain: part #5599LT



Overflow can be drilled for extra charge of \$75. With overflow drilled this tub requires drain 5599PD. **Tubs that have been drilled with overflow are "special order" and are not returnable.**

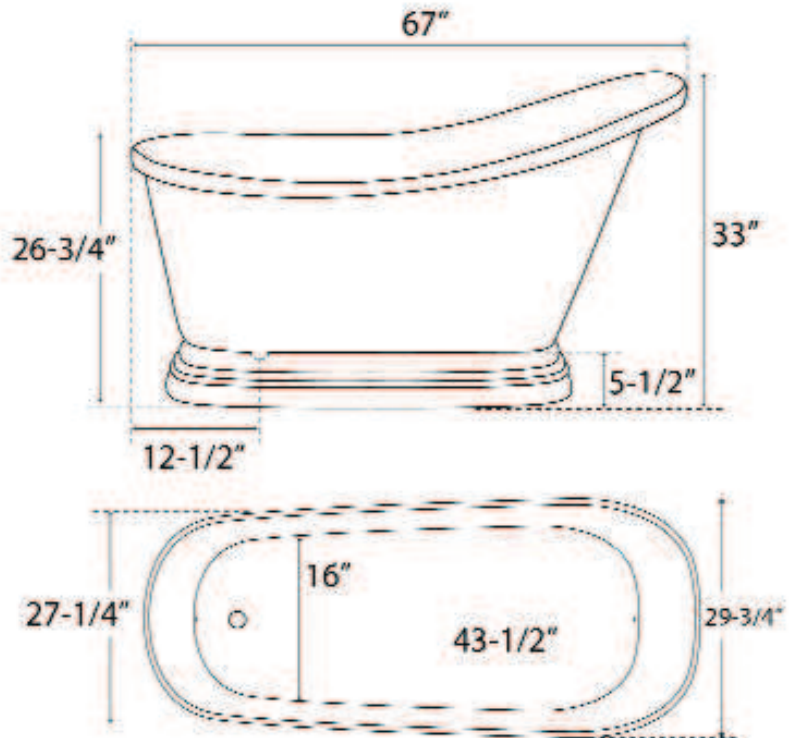
Gallon Capacity: 49
Shipping Weight: 425 lbs.
Empty Weight: 200 lbs.
Filled Weight: 609 lbs.

Features:

- ▶ Interior and exterior walls acrylic sheets
- ▶ Space between walls partially filled with fiberglass & resin
- ▶ Fashionable stepped base is included
- ▶ No faucet holes
- ▶ No overflow
- ▶ Tub is thoroughly inspected before shipment



Custom Colors Available (inside of tub is always white enamel):
Painted bathtubs are considered "special order" and are not returnable
\$160 Bisque or Black \$250 Designer Color



Dimensions of fixture are nominal and specifications subject to change without notice.