

**60" SYBIL ACRYLIC  
FREESTANDING TUB**

Cat. No.  
ATREC7H60B



L: 60"  
W: 29"  
H: 23"

Water depth: 16-3/8" to top of tub

**The following is recommended for ATREC7H60B tubs:**

- Faucets: #4601 or 4603
- Straight Bath Supplies: #5577
- Leg tub drain: part #5599LT or 5599TS



Overflow can be drilled.  
With overflow drilled this tub  
requires drain 5599PD.  
**Tubs that have been  
drilled with overflow are  
"special order" and  
are not returnable.**

Gallon Capacity :	74
Shipping Weight:	184 lbs.
Empty Weight:	44 lbs.
Filled Weight:	692 lbs.

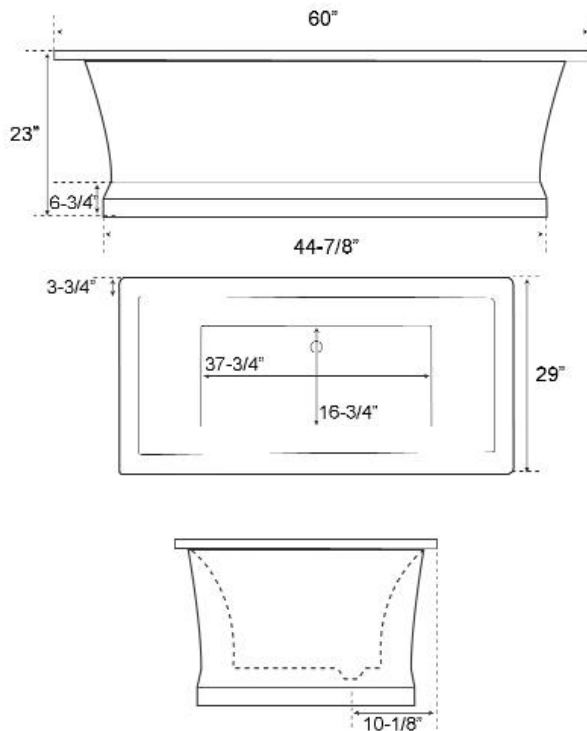
**Features:**

- ▶ Acrylic construction for lighter weight
- ▶ Fashionable base adds elegant touch
- ▶ 7" centers in tub deck
- ▶ No overflow
- ▶ Includes built-in adjusters
- ▶ Tub is thoroughly inspected before shipment

**Compliance Certification**  
Meets or exceeds the following  
specifications: ASME A112.19.2  
2013 and CSA B45.1-13 for  
ceramic plumbing fixtures.



**Custom Colors Available** (inside of tub is always white enamel):  
Painted bathtubs are considered "special order" and are not returnable  
\$160 Bisque or Black \$250 Designer Color



Dimensions of fixture are nominal and specifications subject to change without notice.