

**ALEXIA
53" ACRYLIC
ROLL TOP TUB**

Cat. No.
ATR53



L: 53"
W: 31"
H: 26"

Depth: 19-3/4" at drain
Water depth: 16-1/4" to overflow
Overflow hole: 1-1/2"

Compliance Certification
Meets or exceeds the following specifications: ASME A112.19.2 2013 and CSA B45.1-13 for ceramic plumbing fixtures.

The following is recommended for ATR53 tubs:

- Tub wall -mounted faucets: #4022, 4025 or 4035
- Double offset bath supplies: #5576
- Leg tub drain: part #5599

Do not use with rigid, freestanding supplies

Gallon Capacity: 59
Shipping Weight: 358 lbs.
Empty Weight: 178 lbs.
Filled Weight: 671 lbs.

Features:

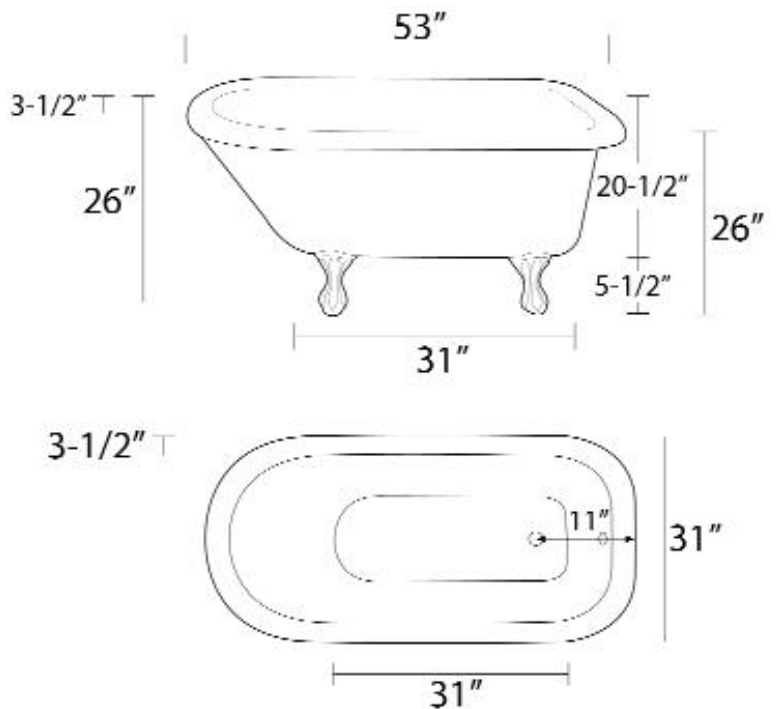
- ▶ Interior and exterior walls acrylic sheets
- ▶ Space between walls partially filled with fiberglass & resin
- ▶ Solid brass ball and claw feet available in 5 finishes
- ▶ 3-3/8" centers in tub wall
- ▶ Tub feet are attached and leveled before shipment.
- ▶ Tub is thoroughly inspected before shipment

Feet Finishes:

- BN** Brushed Nickel
- CP** Polished Chrome
- PB** Polished Brass
- WH** White
- ORB** Oil Rubbed Bronze



Custom Colors Available (inside of tub is always white enamel):
Painted bathtubs are considered "special order" and are not returnable
\$160 Bisque or Black \$250 Designer Color



Dimensions of fixture are nominal and specifications subject to change without notice.