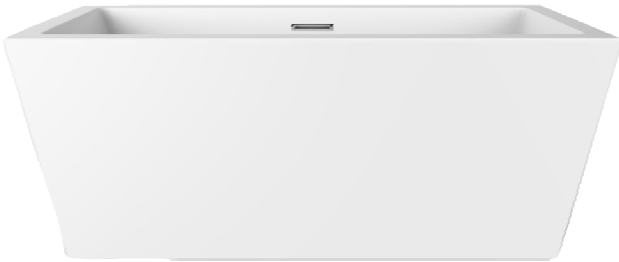


# 59" SHELDON ACRYLIC FREESTANDING TUB

Cat. No.  
ATFRECN59EIG-XX



L: 59"  
W: 31-1/2"  
H: 24"

Water depth: 19" to top of tub  
Water depth: 15-1/2" to overflow  
Overflow hole diameter: 3" x 1/2"  
Center of drain to back of rim: 15-3/4"  
Bottom of drain to floor: 3"  
Bathing well to floor: 4-5/8"  
Sitting area: 19"

The following is recommended for  
ATFRECN59EIG-WH:

- Faucets: part # 7082, or #7088
- Rigid, freestanding supplies: part #4502
- Freestanding filler: part #7902 or #7934  
(Supplies included with filler)



For easier installation we  
recommend use of 5598-ITD  
Easy Install Rough In Kit

Gallon Capacity with OF: 63  
Shipping Weight: 137 lbs.  
Empty Weight: 77 lbs.  
Filled Weight with OF: 603 lbs.

## Features:

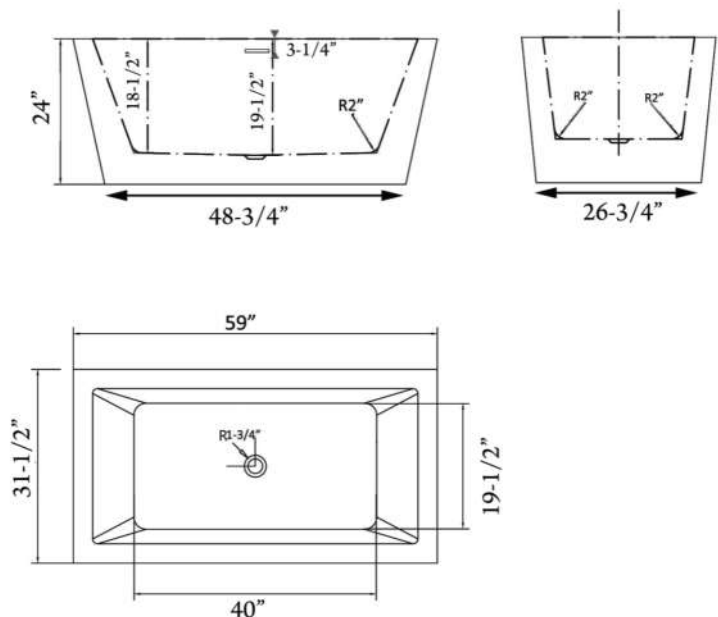
- ▶ Acrylic construction for lighter weight
- ▶ Sleek contemporary design
- ▶ Drain and overflow covers included (available in 6 finishes)
- ▶ Rim measurement: 3-3/8"
- ▶ Overflow slot with integrated drain
- ▶ Drain included
- ▶ IAPMO certified
- ▶ No faucet holes
- ▶ Includes build-in adjusters
- ▶ Angle slope of tub: 67°
- ▶ Tub is thoroughly inspected before shipment
- ▶ Option to add insulation between tub walls available



## Finishes:

- WT** White
- CP** Polished Chrome
- BN** Brushed Nickel
- PN** Polished Nickel
- ORB** Oil Rubbed Bronze
- PB** Polished Brass

**Custom Colors Available** (inside of tub is always white enamel):  
Painted bathtubs are considered "special order" and are not returnable



**Dimensions of fixture are nominal and specifications subject to change without notice.**