

**NYDIA 72"  
FREESTANDING  
ACRYLIC TUB**

Cat. No.  
ATFDSN72



L: 72"  
W: 31-1/2"  
H: 27-3/4"

Water depth: 19-1/2" to top of tub  
Water depth: 16-3/4" to OF

**The following is recommended for ATFDSN72 tubs:**

- Faucets: part #7901or 7913
- Leg tub drain: part #5599LT



Overflow can be drilled.  
With overflow drilled this tub requires drain 5599PD.  
**Tubs that have been drilled with overflow are "special order" and are not returnable.**

Gallon Capacity without OF:	66
Gallon Capacity with OF:	56
Shipping Weight:	198 lbs.
Empty Weight:	88 lbs.
Filled Weight without OF:	640 lbs.
Filled Weight with OF:	556 lbs.

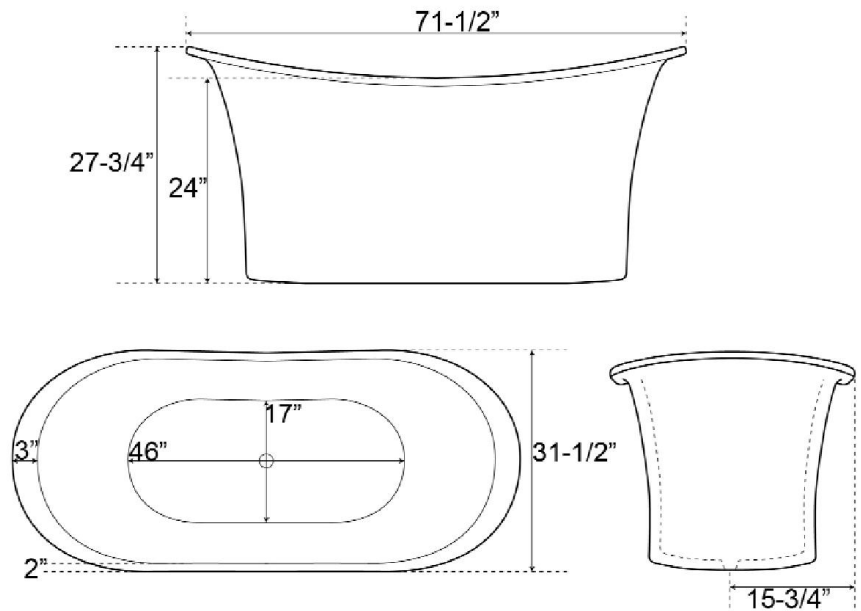
**Features:**

- ▶ Interior and exterior walls acrylic sheets
- ▶ Air between sheets provides insulation to help retain warmth
- ▶ No faucet holes
- ▶ No overflow
- ▶ Rim is 2-3" wide
- ▶ Tub footprint 55" L X 22" W ( Front to Back)
- ▶ Includes built-in adjusters
- ▶ Tub is thoroughly inspected before shipment
- ▶ Tub insulation available for an extra charge

**Compliance Certification**  
Meets or exceeds the following specifications: ASME A112.19.2 2013 and CSA B45.1-13 for ceramic plumbing fixtures.



**Custom Colors Available** (inside of tub is always white enamel):  
Painted bathtubs are considered "special order" and are not returnable  
\$160 Bisque or Black \$250 Designer Color



Dimensions of fixture are nominal and specifications subject to change without notice.