

**CORDOBA
ACRYLIC DOUBLE
ROLL TOP TUB**

Cat. No.
ATDRNTD71BB



L: 71"
W: 37"
H: 25"

Depth: 18 3/4" at drain
Tap Deck: 14"L x 3 1/4"W

The following is recommended for ATDRN tubs:

- Faucets: part #4602, 7393 or 7410
- Use with Freestanding Bath Supplies: part #4502-PL
- Leg tub drain: part #5599E

Gallon Capacity: 70
Shipping Weight: 368 lbs.
Empty Weight: 188 lbs.
Filled Weight: 773 lbs.

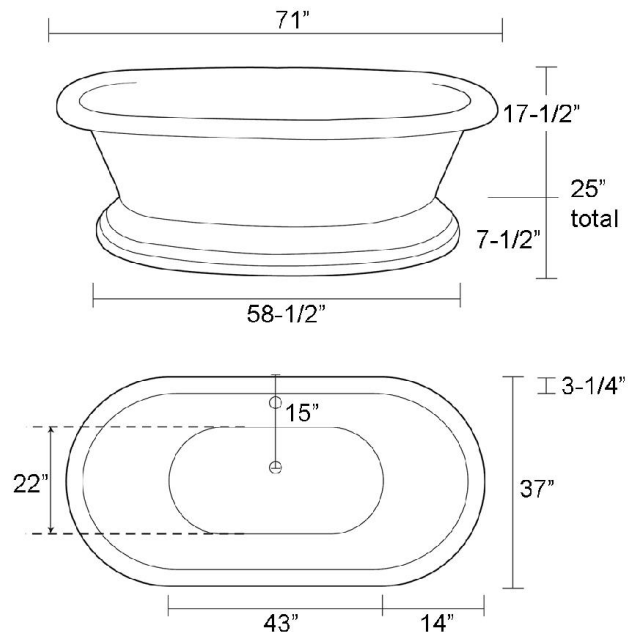
Features:

- ▶ Interior and exterior walls 5mm acrylic sheets
- ▶ Space between walls completely filled with fiberglass & resin
- ▶ 7/8" wall thickness
- ▶ Includes base
- ▶ No faucet holes
- ▶ Tap deck
- ▶ Extra wide for comfort
- ▶ Tub is thoroughly inspected before shipment

Compliance Certification
Meets or exceeds the following specifications: ASME A112.19.2 2013 and CSA B45.1-13 for ceramic plumbing fixtures.



Custom Colors Available (inside of tub is always white enamel):
Painted bathtubs are considered "special order" and are not returnable
\$160 Bisque or Black \$250 Designer Color



Dimensions of fixture are nominal and specifications subject to change without notice.