

**CORINNE
ACRYLIC DOUBLE
ROLL TOP TUB**

Cat. No.
ATDRN71B



L: 71"
W: 31-1/2"
H: 23-1/4"

Depth: 18-1/2 at drain
16" to overflow

Overflow hole: 1-1/2 diameter

The following is recommended for ATDRN tubs:

- Faucets: part #4602, #7393 and #7410
- Use with Freestanding Bath Supplies: #4502
- Leg tub drain: part #5599

Gallon Capacity: 65
Shipping Weight: 363 lbs.
Empty Weight: 183 lbs.
Filled Weight: 726 lbs.

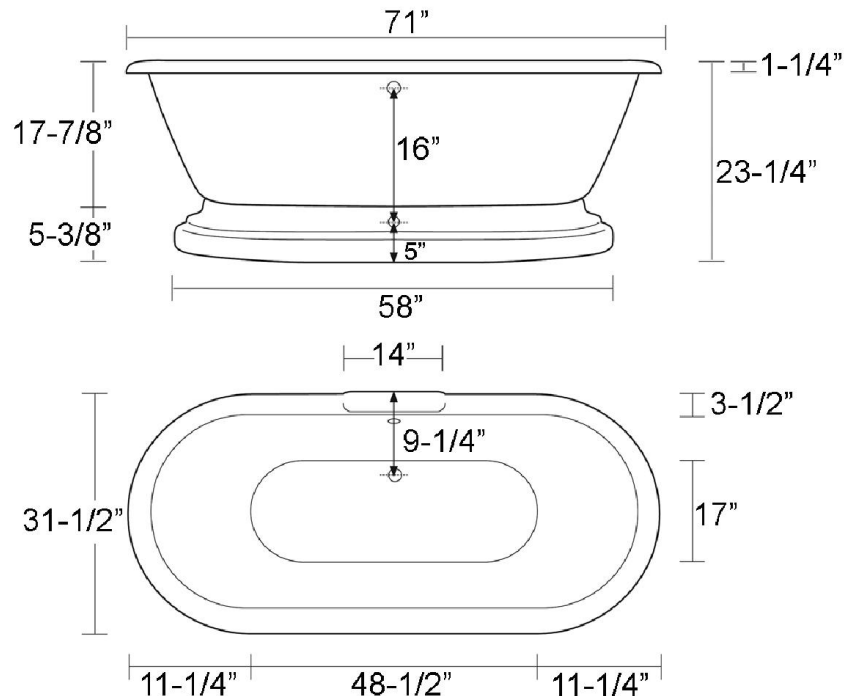
Features:

- ▶ Interior and exterior walls 5mm acrylic sheets
- ▶ Space between walls completely filled with fiberglass & resin
- ▶ 7/8" wall thickness
- ▶ Includes base
- ▶ No faucet holes
- ▶ Tub is thoroughly inspected before shipment

Compliance Certification
Meets or exceeds the following specifications: ASME A112.19.2 2013 and CSA B45.1-13 for ceramic plumbing fixtures.



Custom Colors Available (inside of tub is always white enamel):
Painted bathtubs are considered "special order" and are not returnable
\$160 Bisque or Black \$250 Designer Color



Dimensions of fixture are nominal and specifications subject to change without notice.