

**CHATSWORTH
68" ACRYLIC DOUBLE
ROLL TOP TUB**

Cat. No.
ATDRN68I



L: 68"
W: 30-3/4"
H: 26-1/2"

Water depth: 17" to top of tub
Water depth: 14-1/4" to OF

Compliance Certification
Meets or exceeds the following specifications: ASME A112.19.2 2013 and CSA B45.1-13 for ceramic plumbing fixtures.

The following is recommended for ATDRN68I tubs:

- Faucets: part #4602, 7393 or 7410
- Rigid, freestanding supplies: part #4502
- Leg tub drain: part #5599LT



Overflow can be drilled. With overflow drilled this tub requires drain 5599PD. **Tubs that have been drilled with overflow are "special order" and are not returnable.**

Gallon Capacity without OF: 58
Gallon Capacity with OF: 48
Shipping Weight: 340 lbs.
Empty Weight: 115 lbs.
Filled Weight without OF: 599 lbs.
Filled Weight with OF: 515 lbs.

Features:

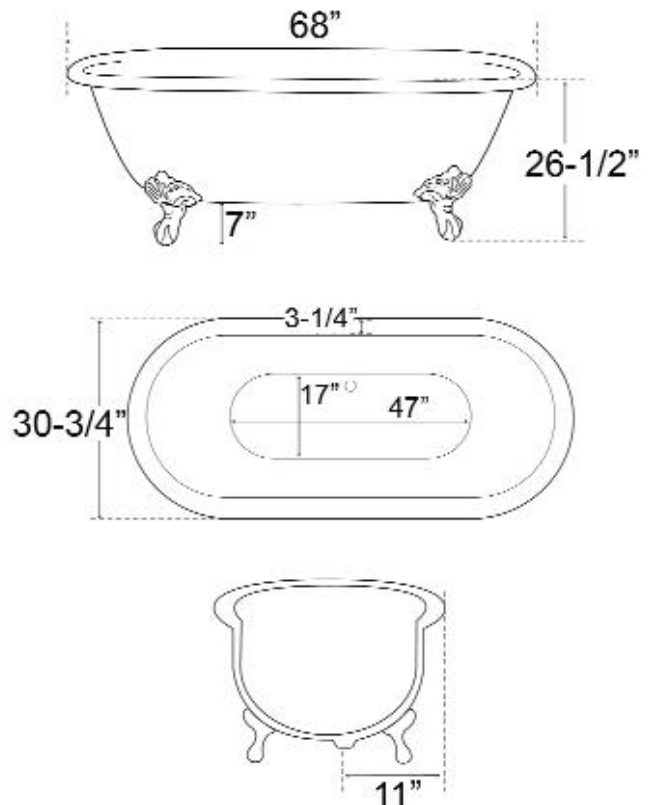
- ▶ Interior and exterior walls acrylic sheets
- ▶ Space between walls partially filled with fiberglass & resin
- ▶ Cast aluminum imperial feet available in 4 finishes
- ▶ No faucet holes
- ▶ No overflow
- ▶ Tub feet are attached and leveled before shipment
- ▶ Tub is thoroughly inspected before shipment

Feet Finishes:

- BN** Brushed Nickel
- CP** Polished Chrome
- PB** Polished Brass
- ORB** Oil Rubbed Bronze



Custom Colors Available (inside of tub is always white enamel):
Painted bathtubs are considered "special order" and are not returnable
\$160 Bisque or Black \$250 Designer Color



Dimensions of fixture are nominal and specifications subject to change without notice.