

**BINGHAM
ACRYLIC DOUBLE
ROLL TOP TUB**

Cat. No.
ATDRN58M



L: 58 1/2"
W: 31"
H: 22 1/2"

Water depth: 16 1/2" to top of tub

Features:

- ▶ Interior and exterior walls acrylic sheets
- ▶ Space between walls partially filled with fiberglass & resin
- ▶ Modern aluminum feet available in 3 finishes
- ▶ No faucet holes
- ▶ No overflow
- ▶ Tub feet are attached and leveled before shipment
- ▶ Tub is thoroughly inspected before shipment
- ▶ We recommend anchoring feet to floor with silicone for safety and stability

Feet Finishes:

- BN** Brushed Nickel
- CP** Polished Chrome
- ORB** Oil Rubbed Bronze

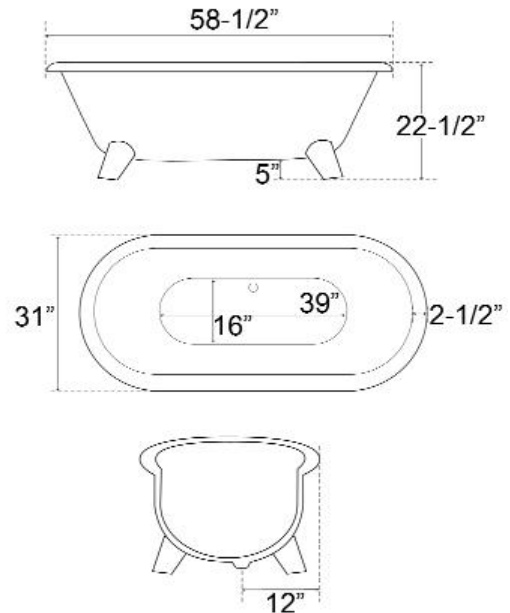


Custom Colors Available (inside of tub is always white enamel):
Painted bathtubs are considered "special order" and are not returnable
\$160 Bisque or Black \$250 Designer Color

**The following is recommended for
ATDRN58M tubs:**

- Faucets: part #4602, 7393 or 7410
- Rigid, freestanding supplies: part #4502
- Leg tub drain: part #5599LT or 5599TS

Gallon Capacity: 44
Shipping Weight: 340 lbs.
Empty Weight: 115 lbs.
Filled Weight: 483 lbs.



Dimensions of fixture are nominal and specifications subject to change without notice.