

**CORINNE  
ACRYLIC DOUBLE  
ROLL TOP TUB**

Cat. No.  
ATDR7H71B



L: 71"  
W: 31 1/2"  
H: 23 1/4"

Depth: 18 1/2" at drain  
16" to overflow

Overflow hole: 1 1/2" diameter

**The following is recommended for ATDRN tubs:**

- Faucets: part #4601 and #7529
- Use with Straight Bath Supplies: part #5577
- Leg tub drain: part #5599

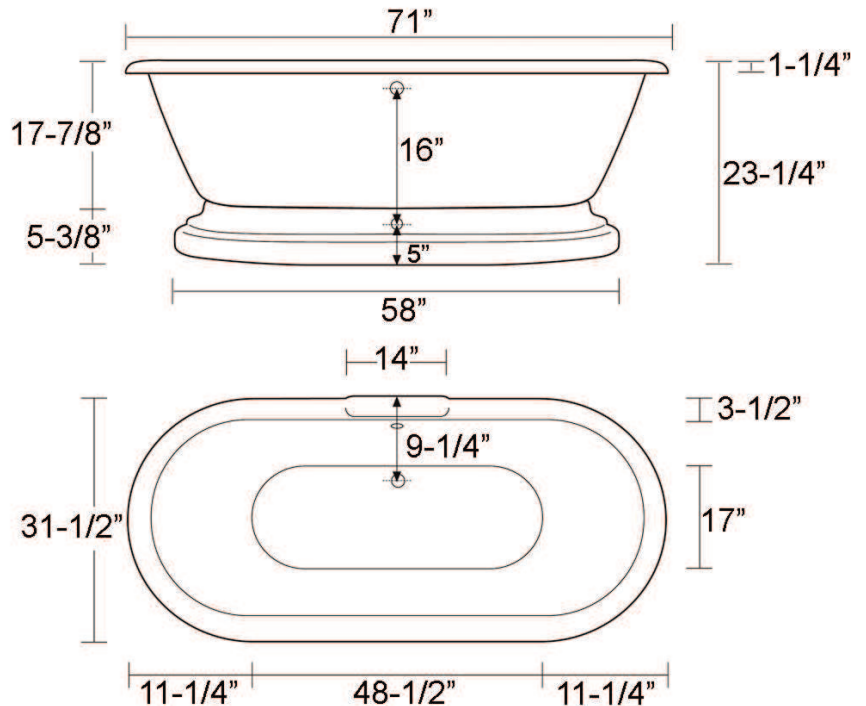
Gallon Capacity: 65  
Shipping Weight: 363 lbs.  
Empty Weight: 183 lbs.  
Filled Weight: 726 lbs.

**Features:**

- ▶ Interior and exterior walls 5mm acrylic sheets
- ▶ Space between walls completely filled with fiberglass & resin
- ▶ 7/8" wall thickness
- ▶ Includes base
- ▶ 7" centers in tub deck
- ▶ Tub is thoroughly inspected before shipment



**Custom Colors Available** (inside of tub is always white enamel):  
Painted bathtubs are considered "special order" and are not returnable  
\$160 Bisque or Black \$250 Designer Color



Dimensions of fixture are nominal and specifications subject to change without notice.