

**LATHAM
67" ACRYLIC
SLIPPER TUB**

Cat. No.
ASN67IS



L: 67-1/2"
W: 31-3/4"
H: 27-1/2" - 32*1/2"

Water depth: 18 1/2" to top of tub

Compliance Certification
Meets or exceeds the following specifications: ASME A112.19.2 2013 and CSA B45.1-13 for ceramic plumbing fixtures.

The following is recommended for ASN67IS tubs:

- Faucets: part #4602, 7393 or 7410
- Rigid, freestanding supplies: part #4502
- Leg tub drain: part #5599LT



Overflow can be drilled. With overflow drilled this tub requires drain 5599. **Tubs that have been drilled with overflow are "special order" and are not returnable.**

Gallon Capacity: 53
Shipping Weight: 425 lbs.
Empty Weight: 200 lbs.
Filled Weight: 643 lbs.

Features:

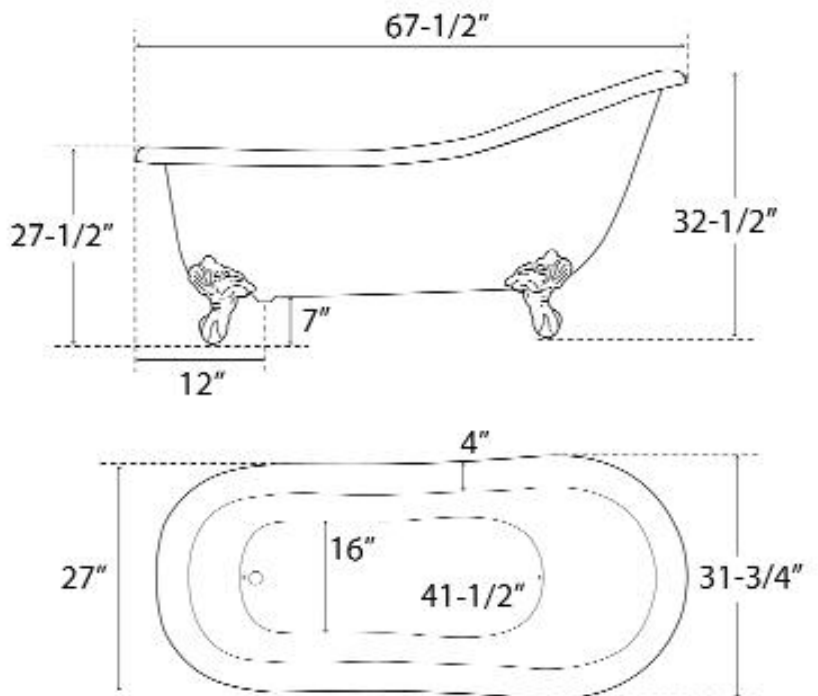
- ▶ Interior and exterior walls acrylic sheets
- ▶ Space between walls partially filled with fiberglass & resin
- ▶ Aluminum imperial feet available in 4 finishes
- ▶ No faucet holes
- ▶ No overflow
- ▶ Tub feet are attached and leveled before shipment
- ▶ Tub is thoroughly inspected before shipment

Feet Finishes:

- BN** Brushed Nickel
- CP** Polished Chrome
- ORB** Oil Rubbed Bronze
- PB** Polished Brass



Custom Colors Available (inside of tub is always white enamel): Painted bathtubs are considered "special order" and are not returnable \$160 Bisque or Black \$250 Designer Color



Dimensions of fixture are nominal and specifications subject to change without notice.