

**KINGSTON
67" ACRYLIC
SLIPPER TUB**

Cat. No.
AS7H67LP



L: 66-1/2"
W: 28-3/4"
H: 24-3/4" - 31-1/2"

Water depth: 17 1/4" to top of tub

Compliance Certification

Meets or exceeds the following specifications: ASME A112.19.2 2013 and CSA B45.1-13 for ceramic plumbing fixtures.

The following is recommended for AS7H tubs:

- Rim-mounted faucets: part #4601 or 7529
- Straight bath supplies: part #5577
- Leg tub drain: part #5599

Gallon Capacity: 52
Shipping Weight: 425 lbs.
Empty Weight: 200 lbs.
Filled Weight: 634 lbs.

Features:

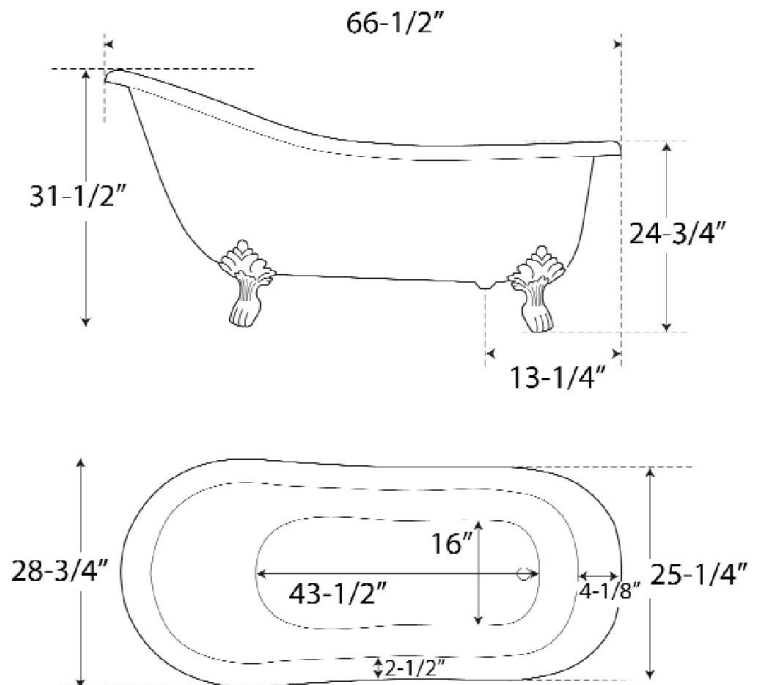
- ▶ Interior and exterior walls acrylic sheets
- ▶ Space between walls partially filled with fiberglass & resin
- ▶ Aluminum lion paw feet available in 4 finishes
- ▶ 7" centers in tub deck and overflow
- ▶ Tub feet are attached and leveled before shipment.
- ▶ Tub is thoroughly inspected before shipment



Foot Finishes:

BN Brushed Nickel PB Polished Brass
CP Polished Chrome ORB Oil Rubbed Bronze

Custom Colors Available (inside of tub is always white enamel):
Painted bathtubs are considered "special order" and are not returnable
\$160 Bisque or Black \$250 Designer Color



Dimensions of fixture are nominal and specifications subject to change without notice.