

**KENNEY  
67" ACRYLIC  
SLIPPER TUB**

Cat. No.  
AS7H67I



L: 66 1/2"  
W: 28 3/4"  
H: 23 7/8" - 30 3/4"

Water depth: 17 1/4" to top of tub

**Compliance Certification**  
Meets or exceeds the following specifications: ASME A112.19.2 2013 and CSA B45.1-13 for ceramic plumbing fixtures.

**The following is recommended for AS7H tubs:**  
•Rim-mounted faucets: part #4601 or 7529  
•Straight bath supplies: part #5577  
•Leg tub drain: part #5599

Gallon Capacity: 52  
Shipping Weight: 425 lbs.  
Empty Weight: 200 lbs.  
Filled Weight: 634 lbs.

**Features:**

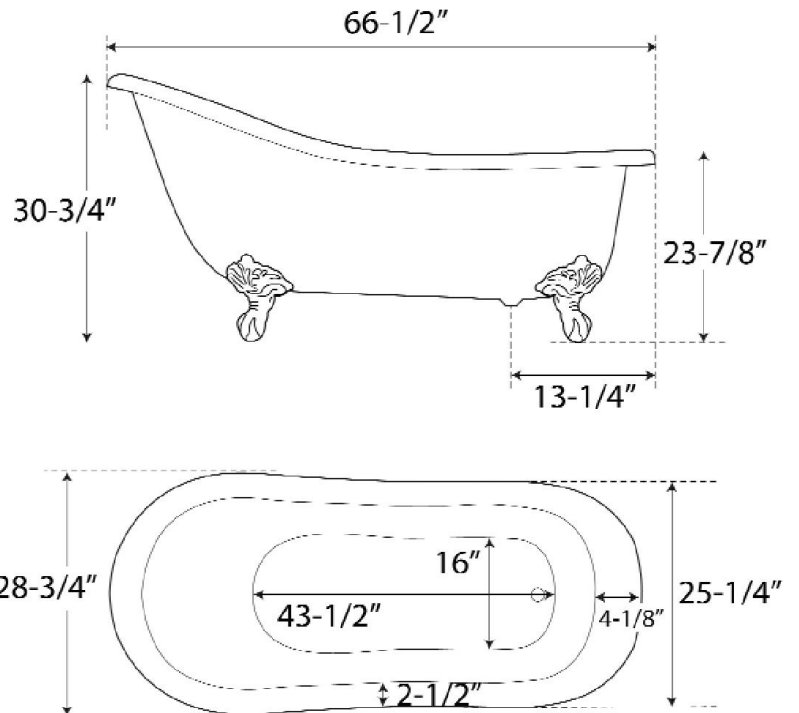
- ▶ Interior and exterior walls acrylic sheets
- ▶ Space between walls partially filled with fiberglass & resin
- ▶ Aluminum imperial feet available in 4 finishes
- ▶ 7" centers in tub deck and overflow
- ▶ Tub feet are attached and leveled before shipment
- ▶ Tub is thoroughly inspected before shipment

**Feet Finishes:**

- BN** Brushed Nickel
- PB** Polished Brass
- CP** Polished Chrome
- ORB** Oil Rubbed Bronze



**Custom Colors Available** (inside of tub is always white enamel):  
Painted bathtubs are considered "special order" and are not returnable  
\$160 Bisque or Black \$250 Designer Color



Dimensions of fixture are nominal and specifications subject to change without notice.