

ASIA DOUBLE ACRYLIC ROLL TOP TUB

Cat. No.
ADTR67



L: 67"
W: 29 1/2"
H: 24-1/2" (from floor)
18" (from bottom of tub)

Water Depth: 11-1/2" to OF

The following is recommended for ADTR67 tubs

- Tub wall-mounted faucets: #4022, 4025, or 4035
- Double offset bath supplies: Part# 5576
- Leg tub drain: Part# 5599

Do not use with rigid, freestanding supplies

Gallon Capacity: 50
Shipping Weight: 150 lbs.
Empty Weight: 100 lbs.
Filled Weight: 518 lbs.

Features:

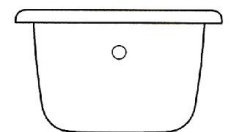
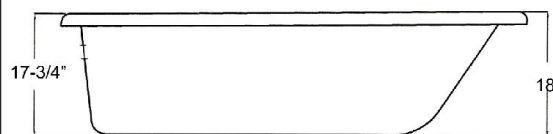
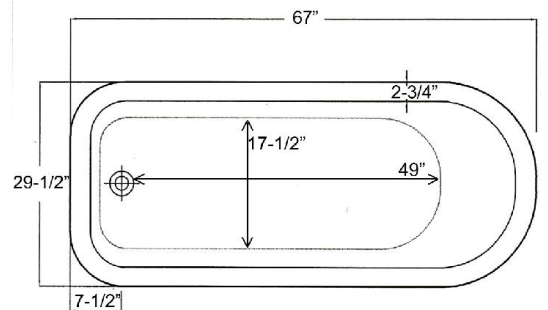
- ▶ Smooth white acrylic surface inside and out
- ▶ 3 3/8" centers in tub wall
- ▶ Overflow hole is drilled
- ▶ Continuous rolled rim
- ▶ Cast aluminum ball and claw feet available in 8 finishes
- ▶ Tubs ship with feet attached and leveled
- ▶ Tubs thoroughly inspected before shipment

Foot Finishes

- BQ** Bisque
- BL** Black
- BP** Polished Brass
- CP** Polished Chrome
- BN** Brushed Nickel
- ORB** Oil Rubbed Bronze
- PN** Polished Nickel
- WH** White



Custom Colors Available (inside of tub is always white enamel):
Painted bathtubs are considered "special order" and are not returnable
\$160 Bisque or Black \$250 Designer Color



Dimensions are nominal and specifications subject to change without notice.