

ANTHEA DOUBLE ACRYLIC ROLL TOP TUB

Cat. No.
ADTR60



L: 60 1/2"
W: 30"
H: 24-1/2" (from floor)
18" (from bottom of tub)

Water Depth: 11-1/2" to OF

Compliance Certification
Meets or exceeds the following specifications: ASME A112.19.2 2013 and CSA B45.1-13 for ceramic plumbing fixtures.

The following is recommended for ADTR60 tubs
•Tub wall-mounted faucets: #4022, 4025 or 4035
•Double offset bath supplies: Part# 5576
•Leg tub drain: Part# 5599
Do not use with rigid, freestanding supplies

Gallon Capacity: 33
Shipping Weight: 110 lbs.
Empty Weight: 62 lbs.
Filled Weight: 338 lbs.

Features:

- ▶ Inside finish is either white or bisque to match outside color
- ▶ Pre-drilled overflow hole
- ▶ 3-3/8" centers in tub wall
- ▶ Smooth acrylic surface inside and out
- ▶ Cast aluminum ball and claw feet available in 8 finishes
- ▶ Tubs ship with feet attached and leveled
- ▶ Tubs thoroughly inspected before shipment

Tub Colors

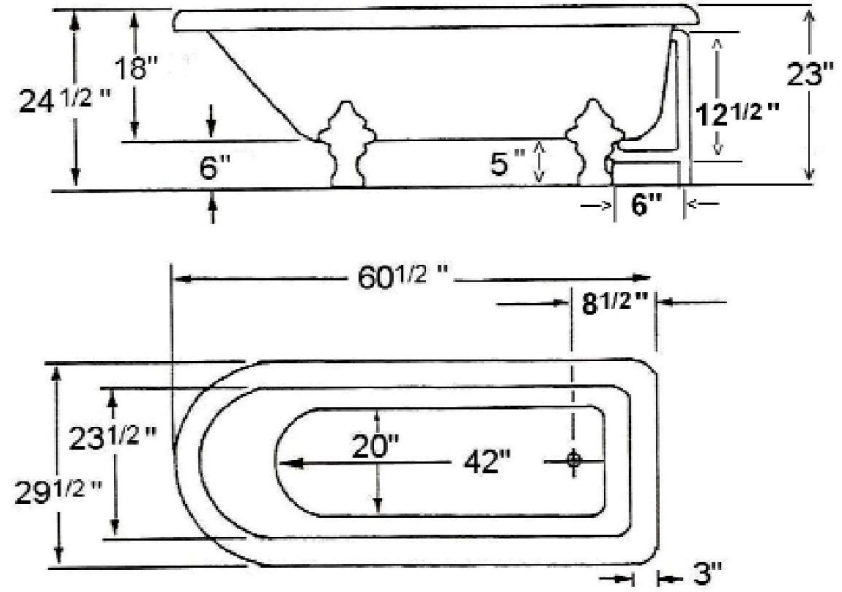
WH White BQ Bisque



Foot Finishes

- | | |
|--------------------|-----------------------|
| BQ Bisque | BN Brushed Nickel |
| BL Black | ORB Oil Rubbed Bronze |
| PB Polished Brass | PN Polished Nickel |
| CP Polished Chrome | WH White |

Custom Colors Available (inside of tub is always white enamel):
Painted bathtubs are considered "special order" and are not returnable
\$160 Bisque or Black \$250 Designer Color



Dimensions are nominal and specifications subject to change without notice.