



INSTALLATION MANUAL FLOOR-STANDING RAIN SHOWER MIXER

Item No : **AB2180**

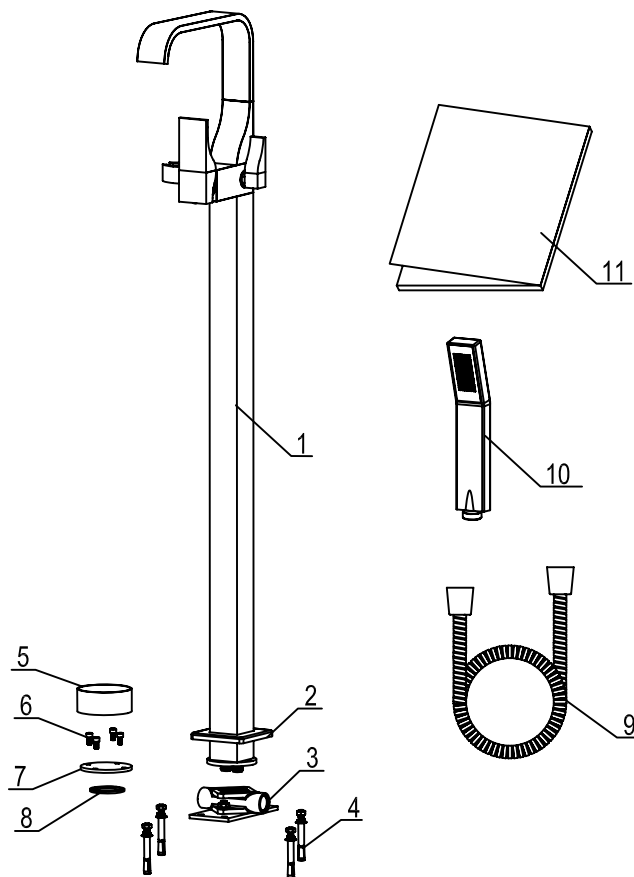
※ COMPONENTS CHECKING

LIST OF THE STANDARD COMPONENTS:

Please double-check the component list hereinafter and contact our company or our distributor for any unconformity.

Remarks:

- 1, Without affecting their performing, components may be changed without further notice.
- 2, Drawings for reference only.



The Accessory List	QTY
1. Main body	1
2. Decorative cover	1
3. Base	1
4. Expansion plug	4
5. Protective ring	1
6. Screw	4
7. Protective board	1
8. Washer	1
9. Hose	1
10. Hand shower	1
11. Manual	1

※ Installation Instructions

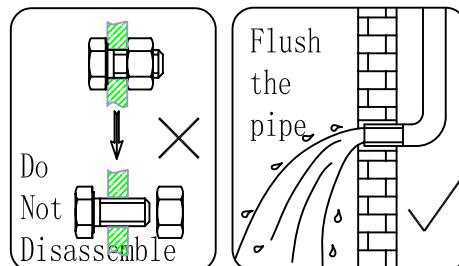
☆ Do not disassemble the main body, as it has been installed & commissioned correctly & precisely before leaving the factory.

☆ To avoid the faucet from jamming, do flush the water pipe before installation.

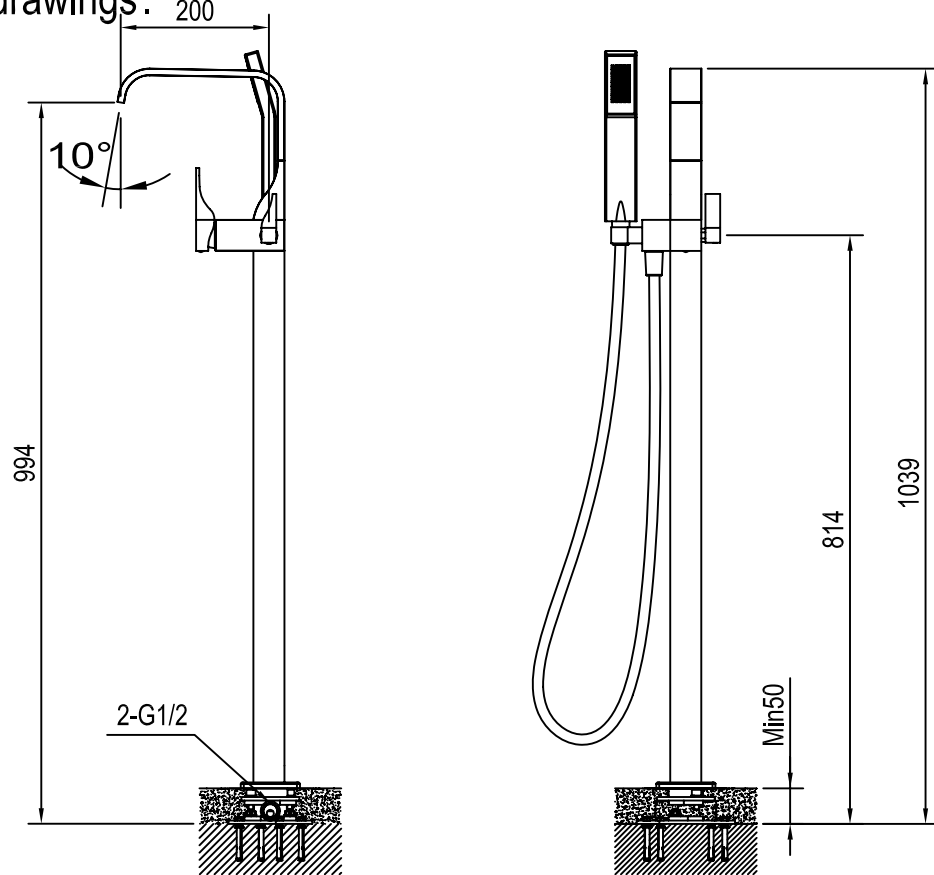
☆ After installation, make sure every joint safely sealed & no leaking.

☆ Using condition: Working pressure at 0.05-1.0MPa (including cold & hot water pressure) with applicable water temperature: 4°C - 90°C.

☆ Make sure to connect the hot/cold inlet pipe correctly, if standing in front, hot water pipe connecting to the left & cold water pipe connecting to the right.

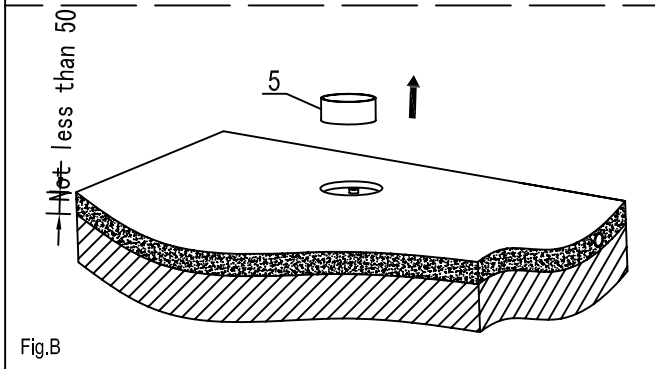
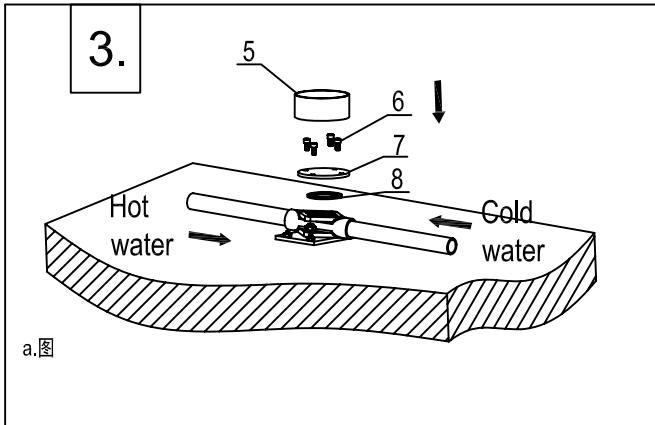


※Dimension drawings:

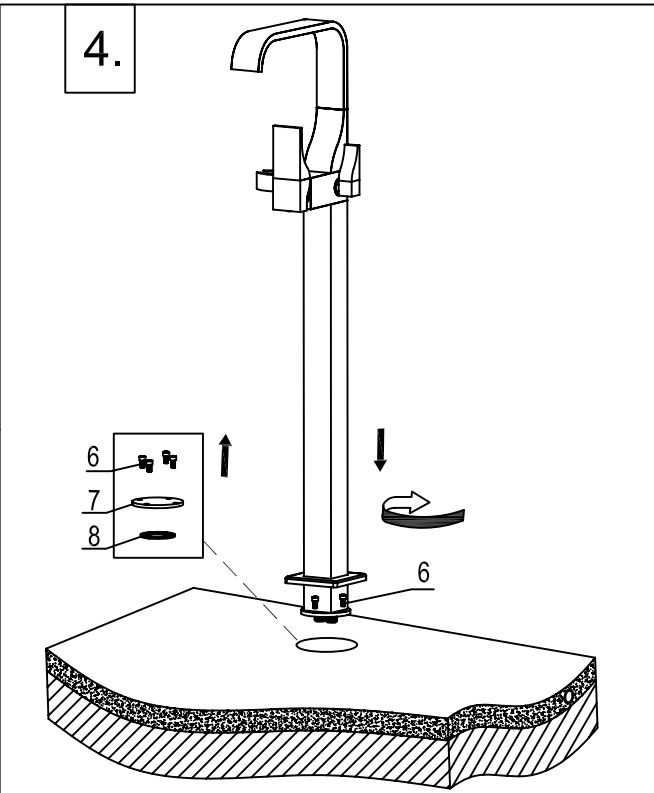


※Installation procedures:

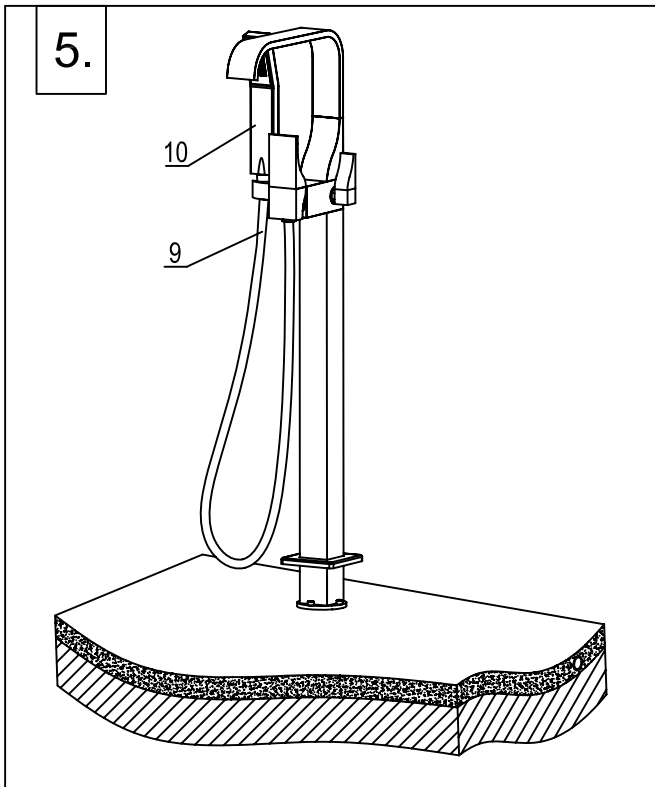
<p>1.</p> <p>Mark</p> <p>3</p>	<p>2.</p> <p>3</p> <p>4</p> <p>4-Ø8 hole</p> <p>Fig. A</p> <p>Fig. B</p> <p>Nut</p>
<p>1. As shown on the fig, firstly use the base (3) as a formwork to make a marking for drilling on the floor.</p>	<p>2. Drill 4-Ø8 holes, drive in explosive plugs(4), then fix the base (3) on the floor fixing by the explosive plugs.</p>



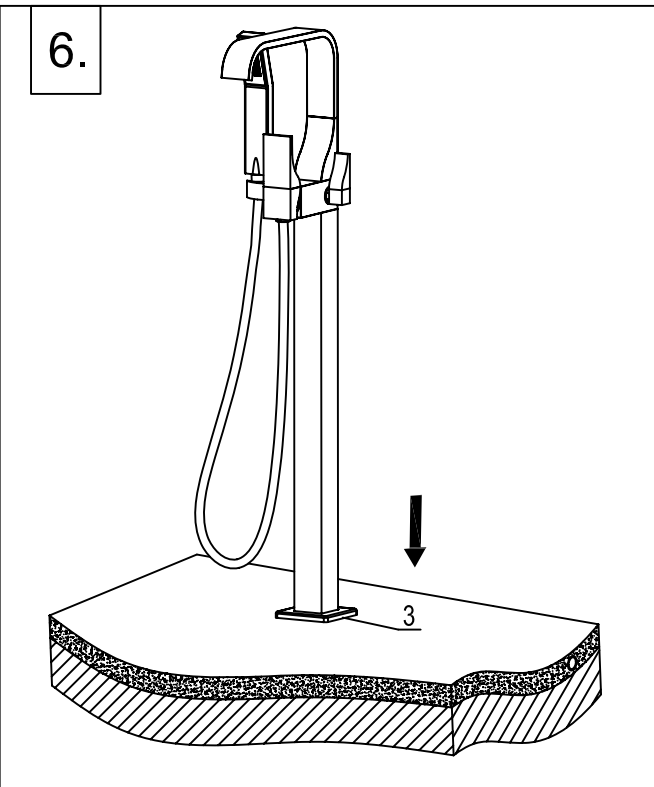
3. After connecting hot and cold supply, install the washer(8), protective board(7) and screw(6). Turn on mixer to check for leakage with testing water pressure $\leq 1.6\text{MPa}$. Install protective ring(5) onto the base, then, as shown on the above Fig, furnish the floor with thickness $\geq 50\text{mm}$. Remove the protective cover when the cement is dry.



4. Loosen the screw(6) from base with allen key and remove protective board(7) and washer(8). then install the mainbody(1) as shown on the Fig. Fix the main body with screw(6) and tighten with allen key. Make sure the main body is firmly installed and perfectly-sealed.



5. Connect handshower and mainbody with shower hose;

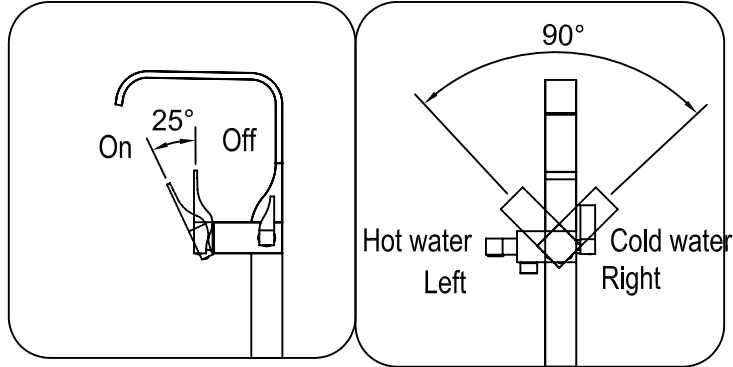


6. Check for leakage after installation. Finally, push down the decorative plate (2) close to floor.

※ Usage

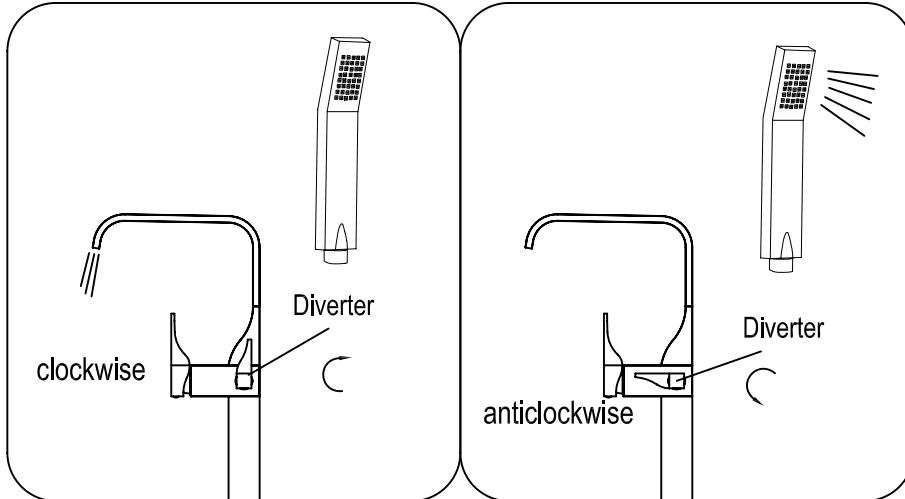
☆ How to operate the handle:

- 1) Raise the handle lever up for opening water, push down to close;
- 2) Turn the handle lever to the left to increase hot water flow for higher water temperature, and lower the water temperature by operating reversely.



☆ How to operate the diverter:

Turn the diverter handle clockwise to have water from spout;
turn the diverter handle anti-clockwise to have water from handshower.



※ Cleaning & Maintenance

☆ To keep the product clean, shining and in good condition, follow the steps as below:

1. Flush with clean water & dry with soft cloth only;
2. If any dirt, clean with soft liquid or transparent glass detergent.
3. Do not use any scrubbing detergent, polisher, sand-cloth, paper tissue or scraper.
4. Do not use acid detergent, indissolvable grain-like detergent or soap.
5. Take the aerator off and clean it when necessary.



※ This installation manual is only for your reference, the final right to explain & revise is belongs to us.