

KAYLA FREESTANDING TUB FILLER WITH HAND SHOWER

Cat. No.
7974



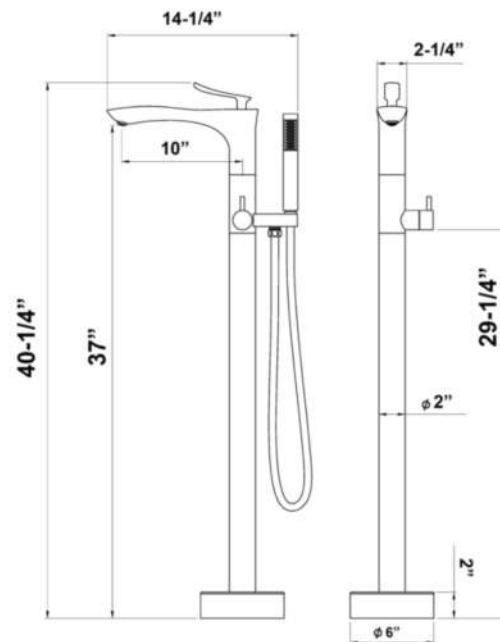
Features:

- ▶ Spout reach is 10"
- ▶ Flow rate 7.8 GMP (80 PSI)
- ▶ Tube diameter: 2"
- ▶ 1/2" NPSM Water connection
- ▶ Rough-In Included
- ▶ Solid brass construction
- ▶ Hand held handshower flow rate 1.6 GPM (80 PSI)
- ▶ Metal handle on handshower
- ▶ Ceramic disc cartridges
- ▶ 33-7/8" x 1/2" female flexible inlet pipes
- ▶ Available in 6 finishes

Finishes:

- BN** Brushed nickel
- CP** Polished Chrome
- ORB** Oil Rubbed Bronze
- MB** Matte Black
- BGD** Brushed Gold
- RG** Rose Gold

D: 14-1/4"
W: 6"
H: 40-1/4"



Use on concrete floors requires special installation. We recommend using a plumbing professional.

Dimensions are nominal and may vary. Dimensions and specifications subject to change without notice.